

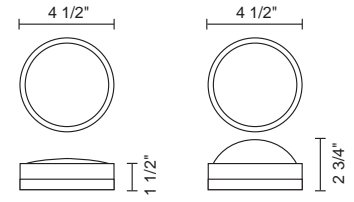
INSTALLATION AND WIRING DIAGRAM

USA

LEDRA SERIES LEDS

LEDRA™ 32

ART. NO.	135 361al	aluminum, white, 5000k	135 371al	dome, aluminum, white, 5000k
	135 361al-1	aluminum, white, 3000k	135 371al-1	dome, aluminum, white, 3000k
	135 362al	aluminum, blue	135 372al	dome, aluminum, blue
	135 363al	aluminum, green	135 373al	dome, aluminum, green
	135 364al	aluminum, red	135 374al	dome, aluminum, red
	135 365al	aluminum, amber	135 375al	dome, aluminum, amber



IMPORTANT SAFETY INSTRUCTIONS

1. THIS PRODUCT MUST BE INSTALLED BY A PERSON FAMILIAR WITH THE CONSTRUCTION AND OPERATION OF THE PRODUCT AND THE HAZARDS INVOLVED, IN ACCORDANCE WITH LOCAL NEC CODE.
2. This product must be wired in series to a Class 2 LED driver only with 700mA output.
3. WET LOCATION SUITABLE.
4. SUITABLE FOR SUSPENDED CEILING
5. **FOR WET LOCATION INSTALLATION, FIXTURE MUST BE SURFACE MOUNTED OVER A RECESSED JUNCTION BOX (MAX DIAMETER 3 1/2")**
6. **WHEN MOUNTING ONTO UNEVEN SURFACES, SILICONE MUST BE APPLIED IN BETWEEN THE CANOPY HOUSING AND THE SURFACE TO PREVENT WATER INFILTRATION.**
7. REPLACE REMOVABLE PARTS WHEN SERVICING THE FIXTURE SUCH AS GASKETS AND SIMILAR COMPONENTS.
8. KEEP THIS INSTRUCTION AND REFER TO THEM WHEN ADDING ADDITIONAL FIXTURES, MODIFICATIONS, OR SERVICES ARE MADE.
9. Turn off power prior to any work on the systems.
10. Warranty is void in case of unauthorized modifications and/ or improper use

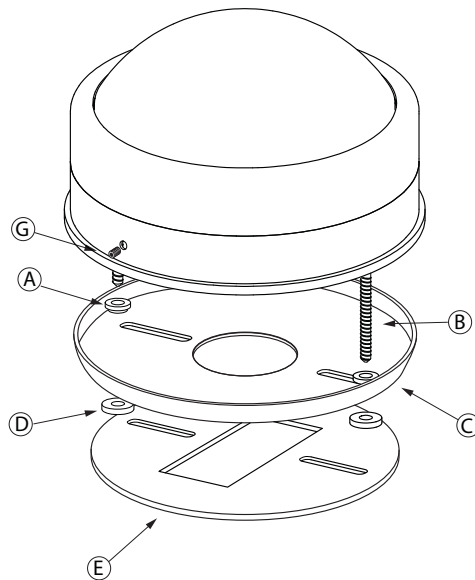
READ ALL OF THESE INSTALLATION INSTRUCTIONS BEFORE INSTALLING THE FIXTURE

Contents of Delivery: LEDRA 32 - qty. (1)

WARNING - Wiring multiple fixtures together must be done in series; DO NOT wire the fixtures in parallel.

Step 1

- Slide the notched plastic washers (A) through the mounting screws (B) through the mounting plate (C) and slide the plastic washer (D) onto the end of the screw. Align the screws (B) with gasket (E) and tighten until firmly connected.
- Place fixture over the mounting plate (C) and secure it with the allen screws (G) located on the side of the fixture.
- The (+) red wire of the fixture must connect with the (+) output on the driver. The (-) black wire must connect with the (-) output on the driver.



- 1 fixtures can be wired when used with D-17W driver or 2 to 3 fixtures can be wired using the D-40W driver. The (-) blue wire of one fixture should connect with the (+) red wire of the next fixture.

