

Plug Option

700A1_

1.6



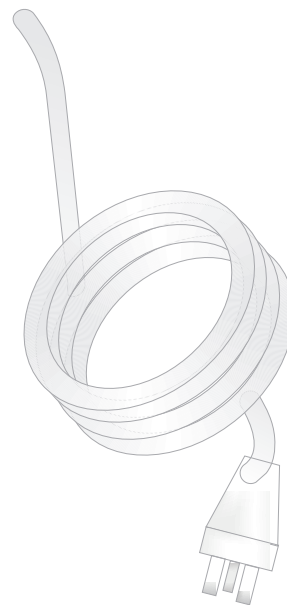
GENERAL PRODUCT INFORMATION:



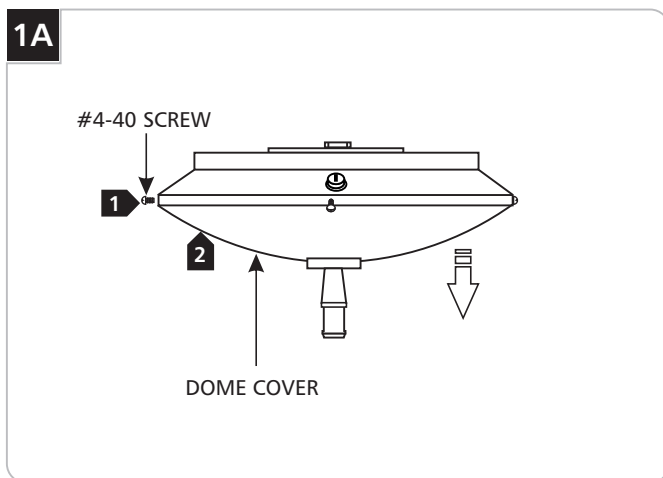
This product is suitable for indoor dry locations only.

A typical installation is shown. Specific installation must be in accordance with the local electrical codes.

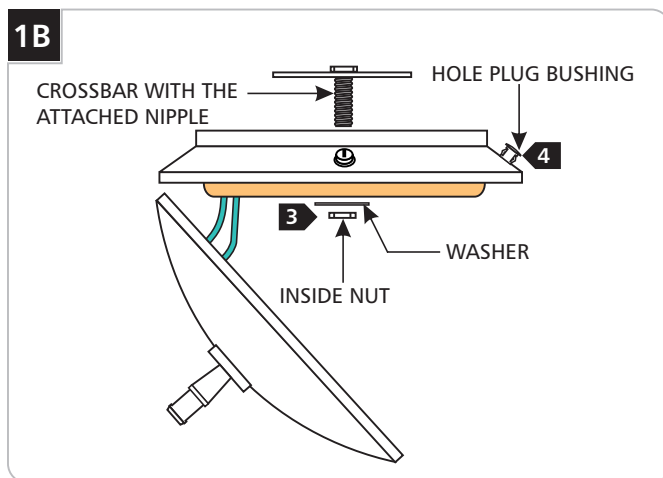
This product is intended for use with Tech Lighting low voltage lighting systems only.



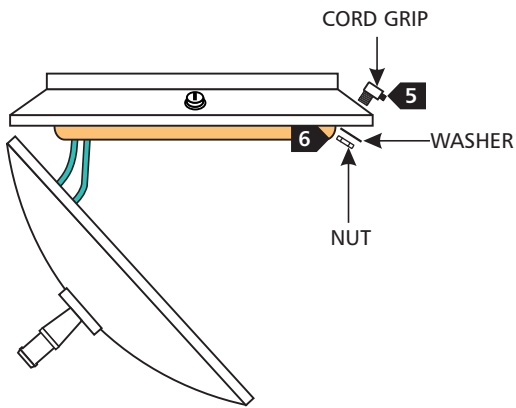
Install the Plug Option to Magnetic Surface Transformers



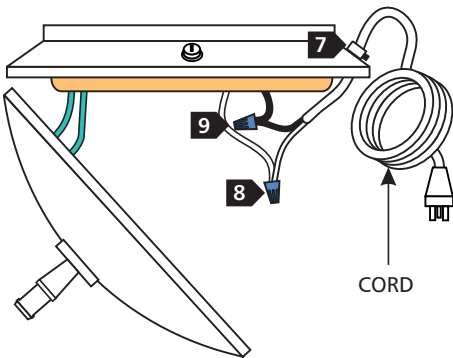
- 1 On side of the transformer dome cover, remove the #4-40 screws with a Phillips head screwdriver.
- 2 Lift the dome cover off of the transformer housing.



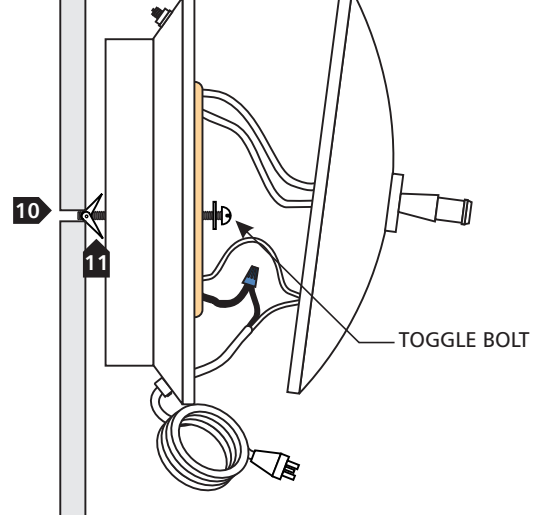
- 3 Remove the inside nut and washer to remove the crossbar with the attached nipple. **DO NOT REMOVE** the nipple from the crossbar.
- 4 Remove the hole plug bushing.

1C

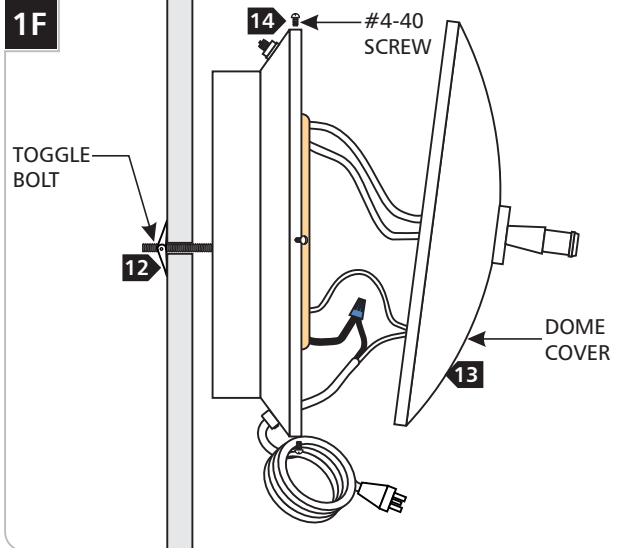
- 5** From outside of the transformer housing, insert the cord grip into the hole.
- 6** From the inside of the transformer housing, secure the cord grip with the washer and nut.

1D

- 7** Feed the cord through the cord grip into the transformer housing. Tighten the slotted set screw with a flat head screwdriver to hold the cord in place.
- 8** Connect the cord white wire to the 120 volt transformer white wire with a wire nut.
- 9** Connect the cord black wire to the 120 volt transformer black wire with a wire nut.

1E

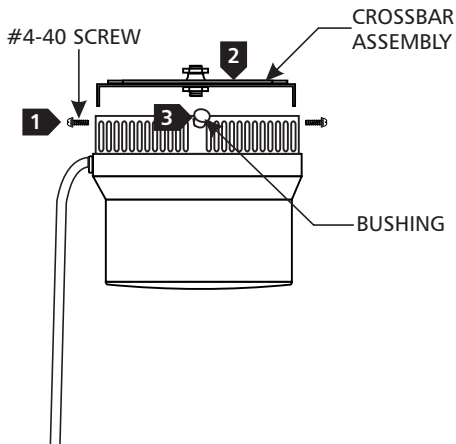
- 10** Drill a 3/8" hole on the wall where the transformer is to be mounted.
- 11** Push the toggle bolt through the transformer center hole.

1F

- 12** Tighten the toggle bolt screw to secure the transformer.
- 13** Replace the dome cover onto the transformer housing. Line the dome cover holes up with the transformer housing holes.
- 14** Replace and tighten the #4-40 Phillips head screws.
- 15** Refer to the instruction provided with the transformer to connect the transformer to the system.

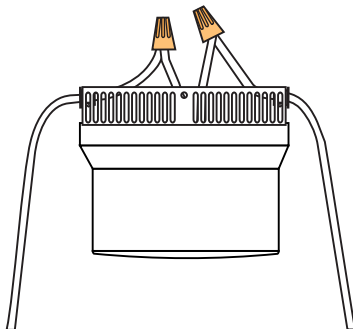
Install the Plug Option to Electronic Surface Mount Transformers

2A

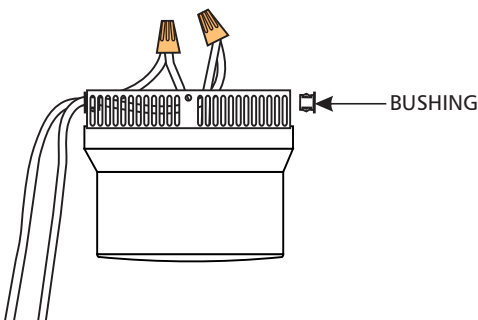


- 1 On side of the transformer, remove the #4-40 screws with a Phillips head screwdriver.
- 2 Remove the crossbar assembly.
- 3 Remove the hole plug bushing.

2B

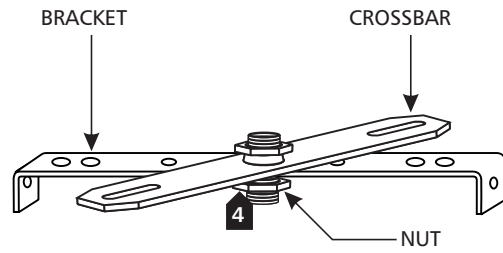


2C



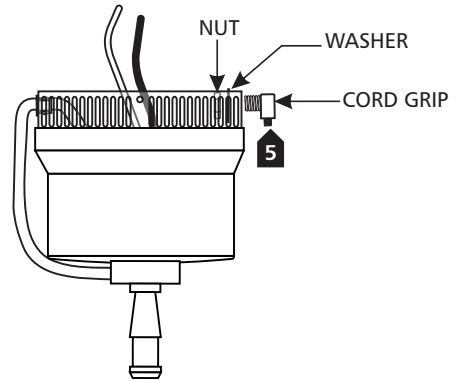
NOTE: For Kable Lite electronic transformer, route both Kable Lite cables through one bushing and remove the other bushing.

2D



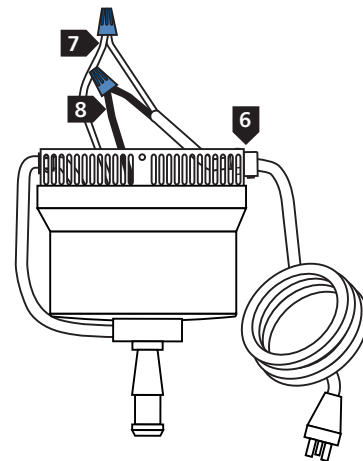
- 4 Remove the nut to disassemble the crossbar from the bracket.

2E

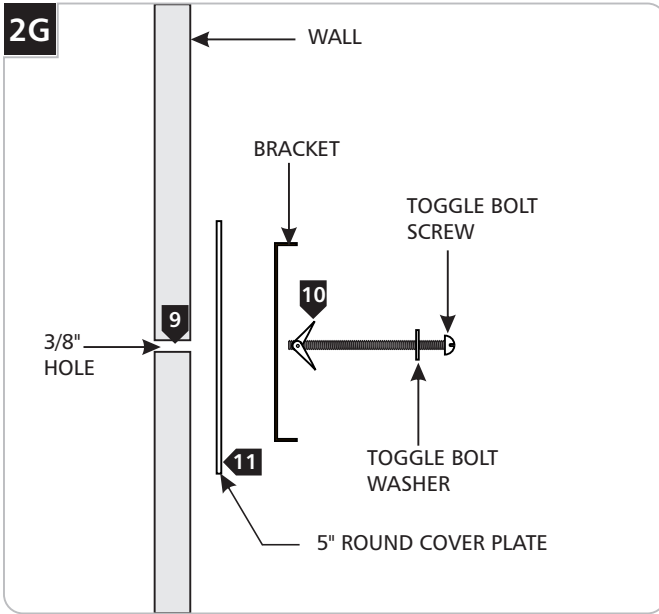


- 5 From the outside of the heat sink insert the cord grip into the hole and from the inside secure the cord grip with the washer and nut.

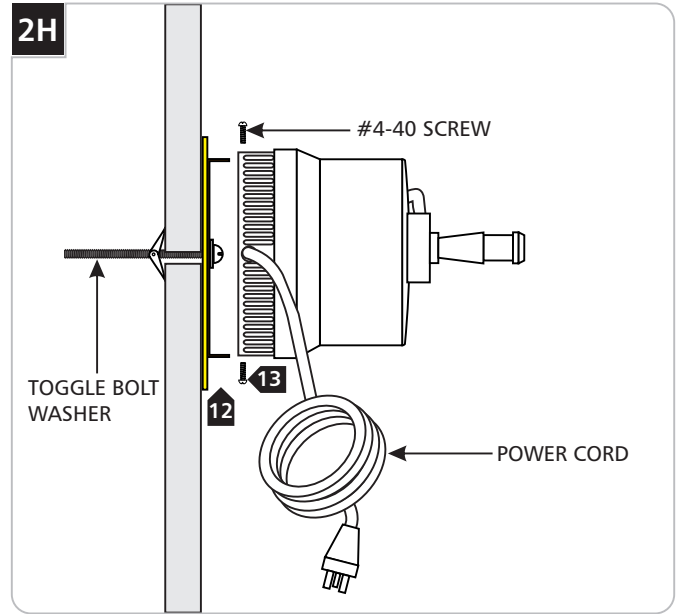
2F



- 6 Feed the power feed cord through the cord grip into the heat sink. Tighten the slotted head set screw with a flat head screwdriver to hold the power cord in place.
- 7 Connect the white transformer wire to the white cord wire with a wire nut.
- 8 Connect the black transformer wire to the black cord wire with a wire nut.



- 9** Drill a 3/8" hole where the electronic transformer is to be mounted.
- 10** Push the toggle bolt through the crossbar bracket and 5" round cover plate center hole.
- 11** Tighten the toggle bolt screw to secure the 5" cover plate and crossbar bracket.



- 12** Place the transformer onto the crossbar bracket. Line the side holes of the transformer up with the crossbar bracket.
- 13** Replace and tighten the two #4-40 screws on the side of the transformer with a Phillips screwdriver.
- 14** Refer to the instruction provided with the transformer to connect the transformer to the system.

SAVE THESE INSTRUCTIONS!



7400 Linder Ave, Skokie, IL 60077
847.410.4400

www.techlighting.com

© 2008 Tech Lighting, L.L.C. All rights reserved. The "Tech Lighting" graphic is a registered trademark of Tech Lighting, L.L.C. Tech Lighting reserves the right to change specifications for product improvements without notification.
A Generation Brands Company