



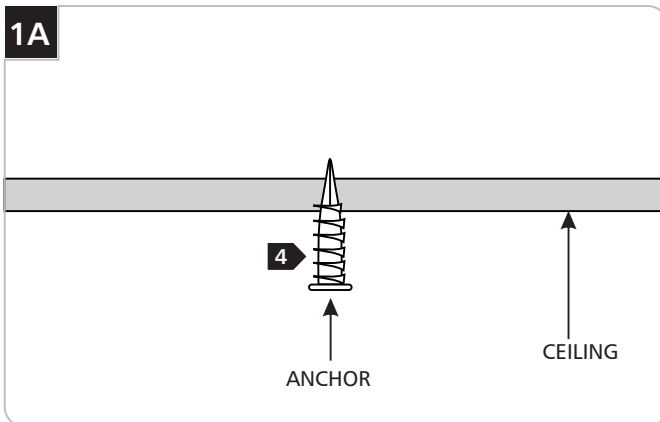
**GENERAL PRODUCT INFORMATION:**



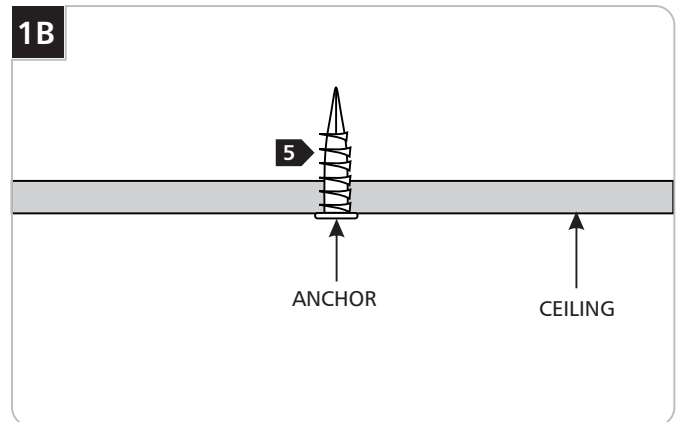
This product is suitable for indoor dry locations only.

This product must be used with Tech Lighting Two-Circuit MonoRail system only.

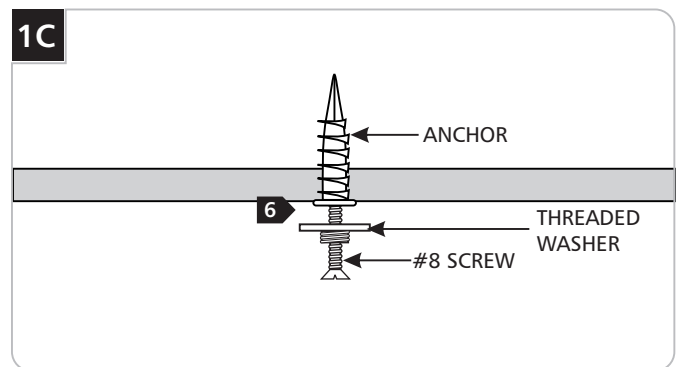
Use the Two-Circuit MonoRail adjustable standoff every three feet and over the Two-Circuit MonoRail rail joiner connectors.



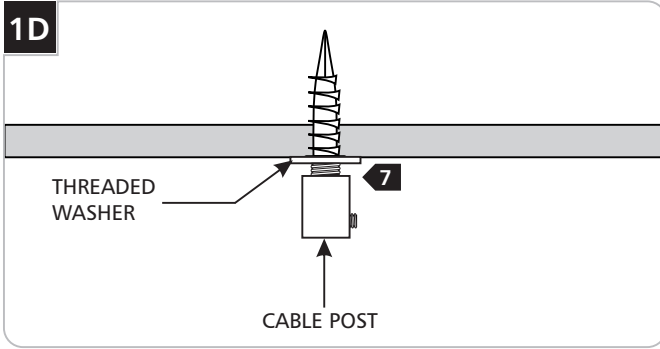
- 1** Select a location on the ceiling where the Two-Circuit MonoRail is to be mounted.
- 2** One way of marking the standoff locations on the ceiling is to lay the Two-Circuit MonoRail on the floor underneath of the selected location and by using a plumb bob pointing on the center of the Two-Circuit MonoRail mark the points on the ceiling.
- 3** The other way is to hold the Two-Circuit MonoRail directly against the ceiling and mark the standoff points on the ceiling.
- 4** Tap the anchors at the marked points up to the threaded portion with a hammer.



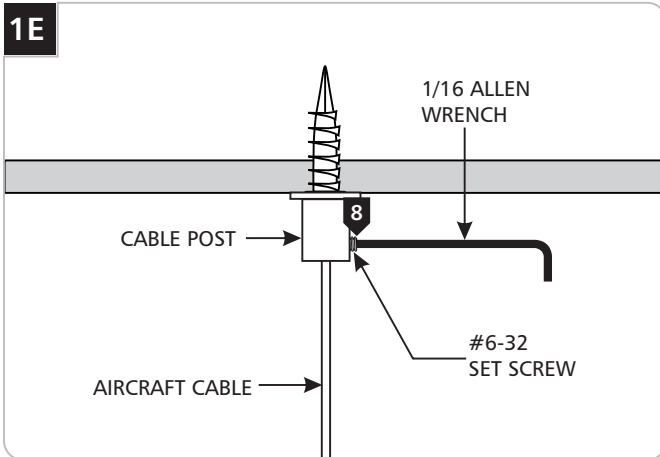
- 5** Screw the anchors in the rest of the way with a Phillips screwdriver.



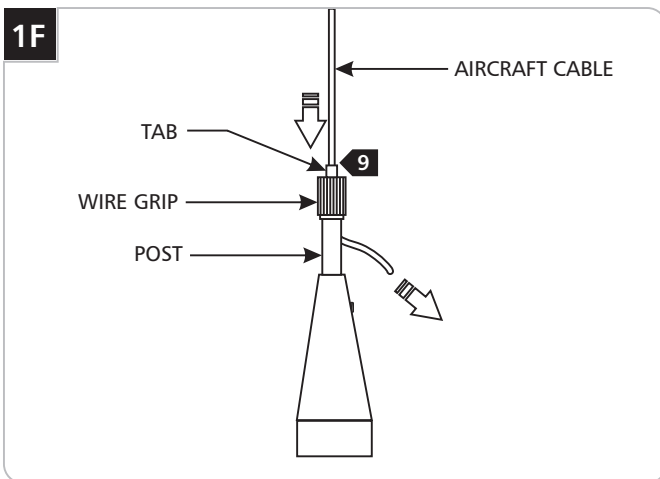
- 6** Attach the threaded washer to the anchors with the #8 screw.



**7** Screw the cable posts to the threaded washers.

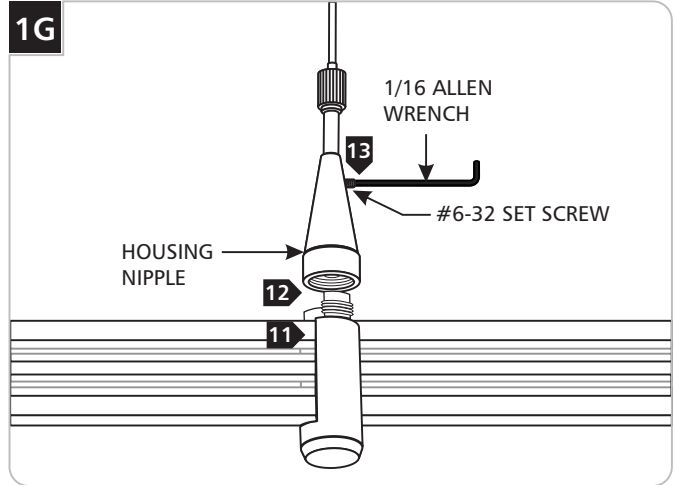


**8** Feed the aircraft cables into the cable posts and tighten the #6-32 set screw with the 1/16 Allen wrench.



**9** Feed the aircraft cable through the wire grip by pushing the tab down. Pull the aircraft cable through the hole on the post.

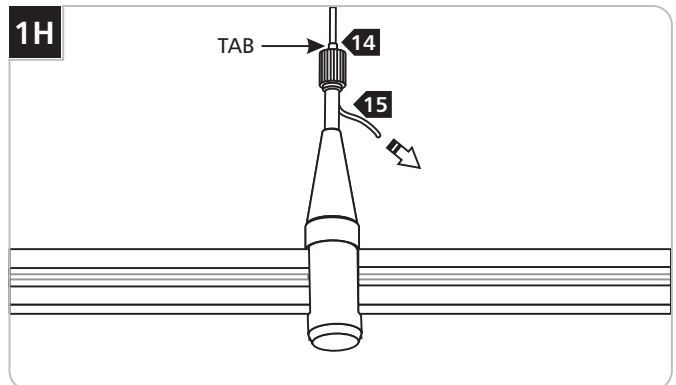
**10** Repeat steps 8 and 9 for the remainder standoffs.



**11** Place the Two-Circuit MonoRail into the housing.

**12** Loosen the #6-32 set screw on the housing nipple so that it can turn easily and screw the housing nipple to the housing tight.

**13** Tighten the #6-32 set screw with the 1/16 Allen wrench.



**14** Adjust the standoff height by pulling the aircraft cable and pushing the tab down.

**15** After achieving the desired standoff heights, trim off excess aircraft cable coming out of the wire grip posts.

**SAVE THESE INSTRUCTIONS!**



**TECH LIGHTING®**

7400 Linder Ave, Skokie, IL 60077

847.410.4400

[www.techlighting.com](http://www.techlighting.com)

© 2008 Tech Lighting, L.L.C. All rights reserved. The "Tech Lighting" graphic is a registered trademark of Tech Lighting, L.L.C. Tech Lighting reserves the right to change specifications for product improvements without notification.

A Generation Brands Company