



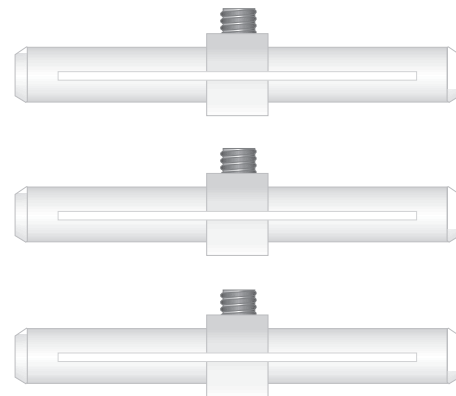
CONNECTORS

GENERAL PRODUCT INFORMATION:

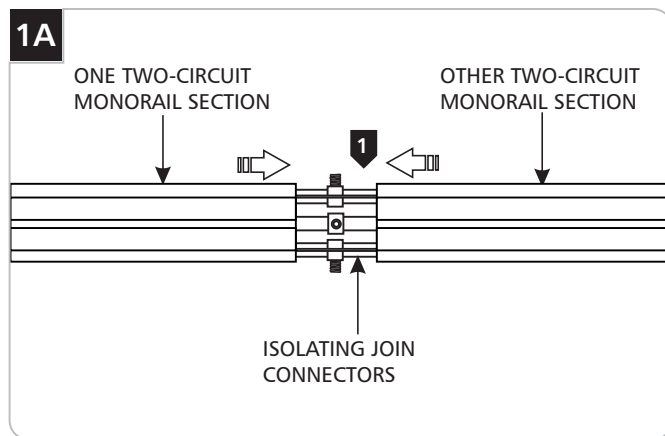


This product is suitable for indoor dry locations only.

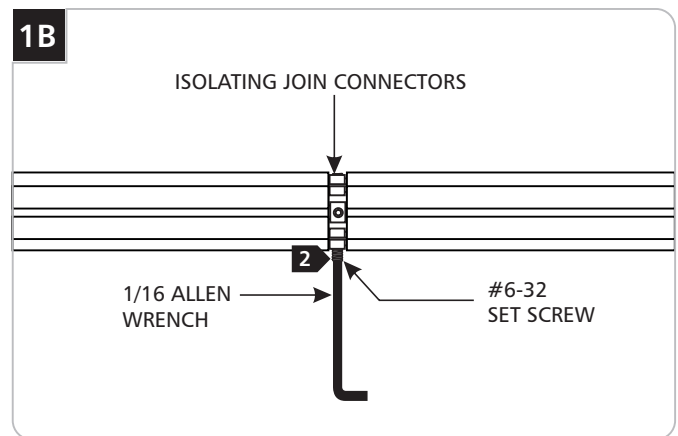
This product must be used with Tech Lighting Two-Circuit MonoRail system only.



Connect the Two Two-Circuit MonoRail Sections



1 Push the two Two-Circuit MonoRail sections completely onto the isolating join connectors.



2 Tighten the #6-32 set screws firmly with the provided 1/16 Allen wrench. To avoid stripping the insulated joint connectors, do not over tighten the #6-32 set screw.

SAVE THESE INSTRUCTIONS!



7400 Linder Ave, Skokie, IL 60077
847.410.4400

www.techlighting.com

© 2008 Tech Lighting, L.L.C. All rights reserved. The "Tech Lighting" graphic is a registered trademark of Tech Lighting, L.L.C. Tech Lighting reserves the right to change specifications for product improvements without notification.
A Generation Brands Company