



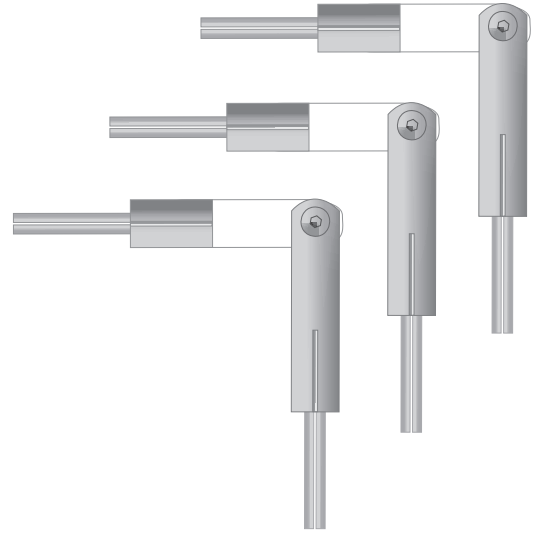
GENERAL PRODUCT INFORMATION:



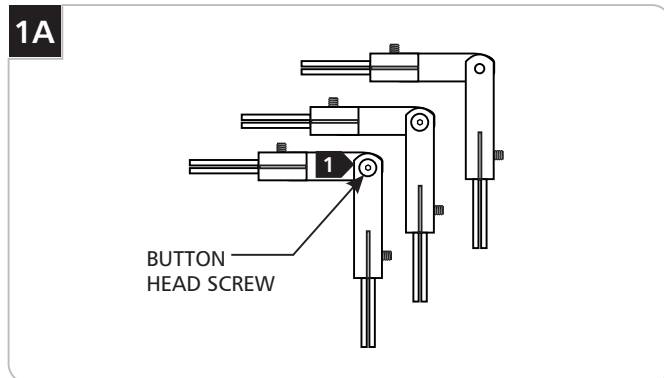
This product is suitable for indoor dry locations only.

This product must be used with Tech Lighting Two-Circuit MonoRail system only.

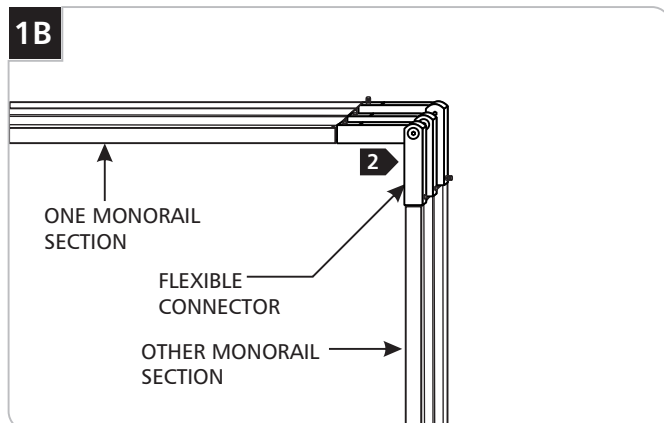
These conductive connectors join two section of the Two-Circuit MonoRail end to end at desired sharp horizontal angle.



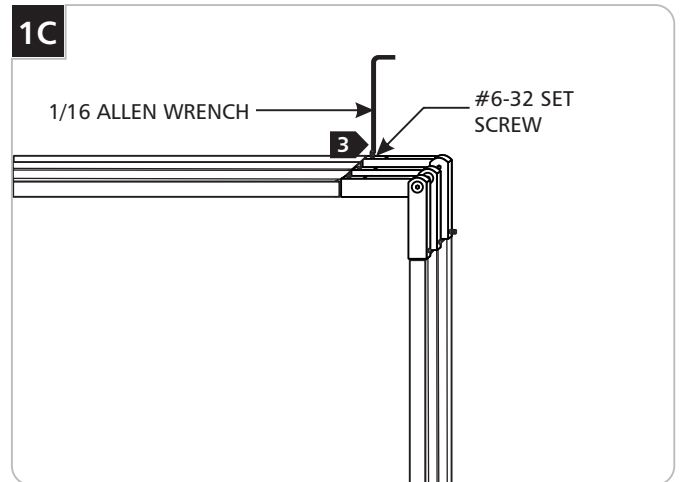
Install the Flexible Connectors



1 Bend the three flexible connectors so that the button head screws are exposed toward outside of the bend (the middle one could be in either way).



2 Push the two Two-Circuit MonoRail sections completely onto the flexible connectors.



3 Tighten all six #6-32 set screws with the 1/16 Allen wrench. For power conductivity, make sure that all set screw connections are very tight.

SAVE THESE INSTRUCTIONS!



7400 Linder Ave, Skokie, IL 60077
847.410.4400

www.techlighting.com

© 2008 Tech Lighting, L.L.C. All rights reserved. The "Tech Lighting" graphic is a registered trademark of Tech Lighting, L.L.C. Tech Lighting reserves the right to change specifications for product improvements without notification.
A Generation Brands Company