

# Wave Turnbuckles

700KWAVE\_

1.6



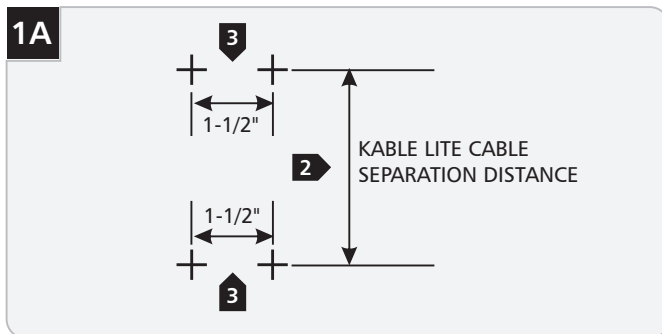
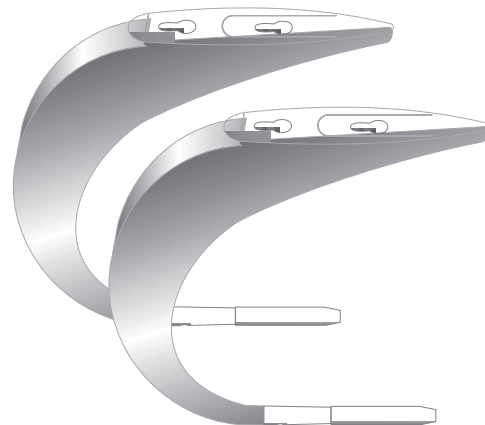
## GENERAL PRODUCT INFORMATION:



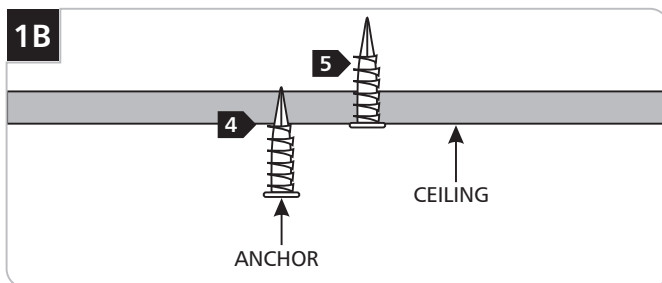
This product is suitable for indoor dry locations only.

This product should be used with Tech Lighting Kable Lite system only.

This product is ceiling mount only.

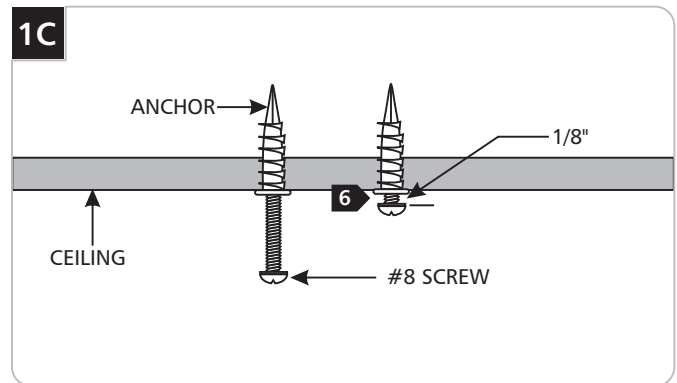


- 1 Select a suitable location for the turnbuckles to be mounted.
- 2 Decide on the Kable Lite cable separation.
- 3 For each turnbuckle mark two points 1-1/2" apart in line with the Kable Lite cables. The distance between the center points of the turnbuckles should be the desired Kable Lite cable separation.

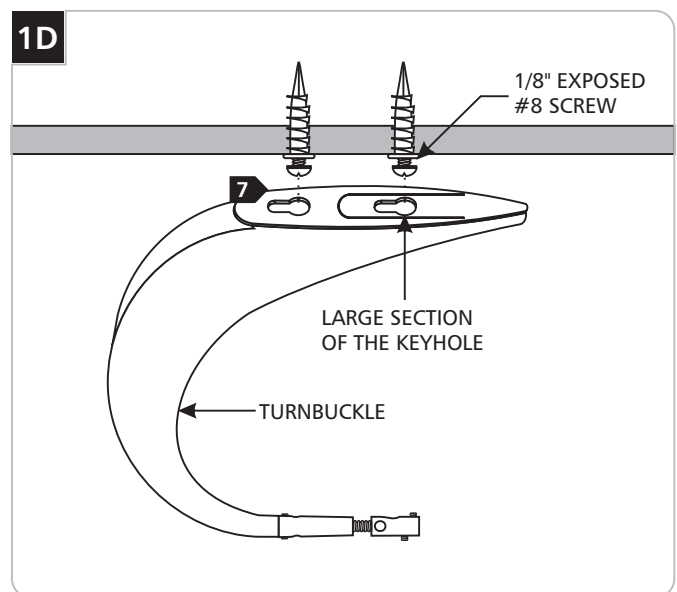


**NOTE:** This package includes drywall anchors. If mounting other than drywall, use proper anchors.

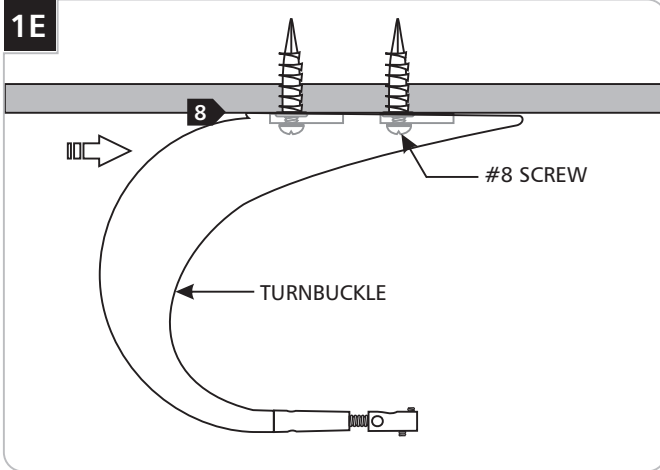
- 4 With a hammer tap the anchors at the marked points up to the threaded portion.
- 5 Screw the anchors in the rest of the way with a Phillips screwdriver.



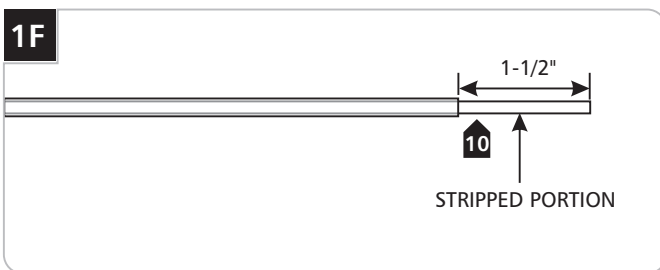
- 6 Screw the #8 screws into the anchors leaving 1/8" exposed.



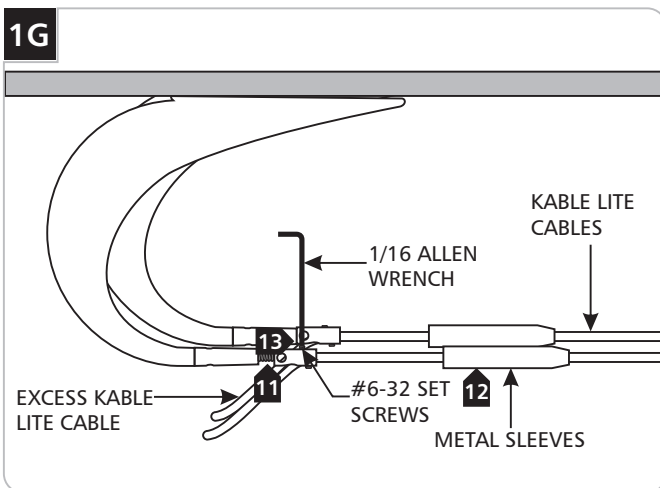
- 7 Push the large section of the turnbuckle keyholes onto the exposed #8 screws.



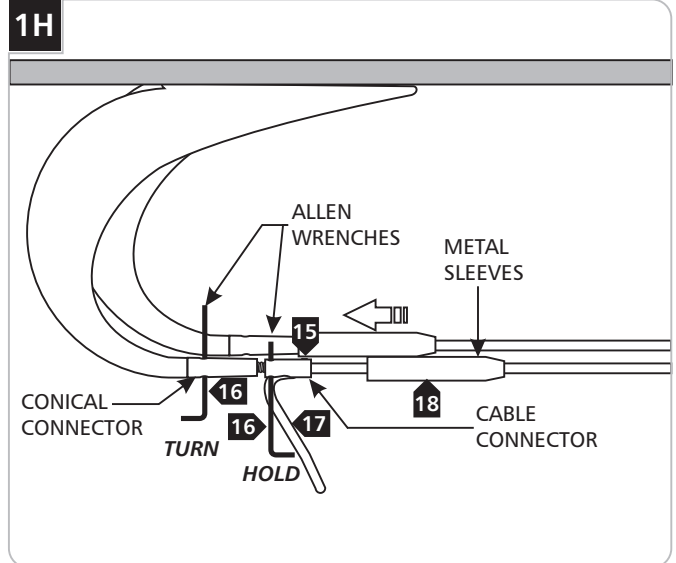
- 8** Slide the turnbuckle towards the small section of the keyholes until the turnbuckle hooks onto the #8 screws.
- 9** If the turnbuckle is loose or does not slide, tighten or loosen the #8 screws a little bit at a time until the proper fit is achieved.



- 10** When using insulated Kable Lite cables, strip 1-1/2" insulation off of the ends of the cable.



- 11** Unscrew the cable connectors to full extension.
- 12** Feed the Kable Lite cable through the metal sleeve into the cable connector and pull it from the side hole.
- 13** Tighten the two #6-32 set screw with the 1/16 Allen wrench.



- 14** Feed the other end of the Kable Lite cables through the other metal sleeves into the opposite turnbuckle cable connectors.
- 15** Pull the Kable Lite cables from the side hole until the cables are taut. Tighten the two #6-32 set screws with the 1/16 Allen wrench.
- 16** Place one Allen wrench into the conical connector hole and the other one into the cable connector hole. Hold the cable connector one while turning the conical connector. Repeat this step for the opposite turnbuckle until the Kable Lite cables are tight.
- 17** Trim the excess Kable Lite cables coming out of the cable connectors.
- 18** Slide the metal sleeves over the cable onto the conical connectors.

**SAVE THESE INSTRUCTIONS!**



7400 Linder Ave, Skokie, IL 60077  
847.410.4400

[www.techlighting.com](http://www.techlighting.com)

© 2008 Tech Lighting, L.L.C. All rights reserved. The "Tech Lighting" graphic is a registered trademark of Tech Lighting, L.L.C. Tech Lighting reserves the right to change specifications for product improvements without notification.  
A Generation Brands Company