

4 Port Square Canopy

700FJS4_

1.8



MULTI PORT CANOPIES

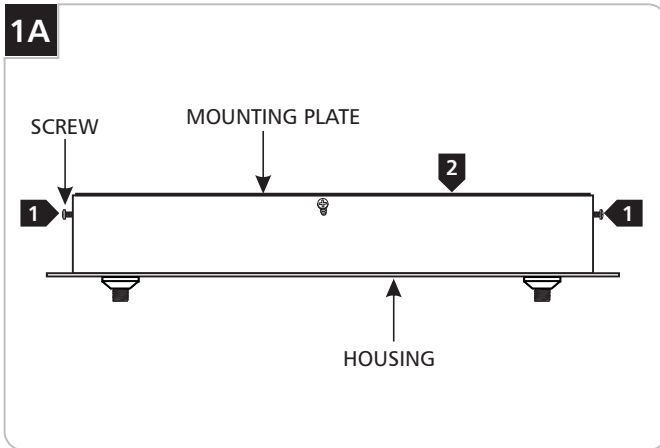
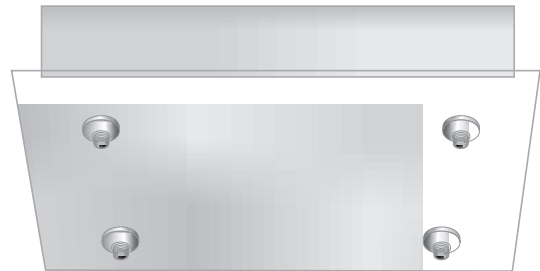
GENERAL PRODUCT INFORMATION:



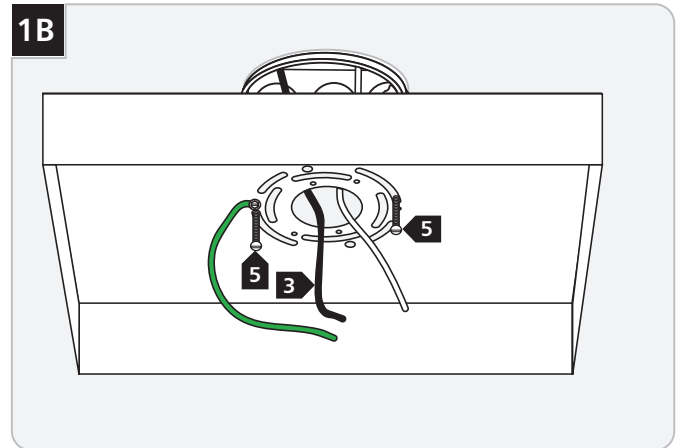
This product is ETL listed and suitable only for indoor dry locations and approved for use at any height above the finished floor.

This product can be dimmed with a standard incandescent dimmer.

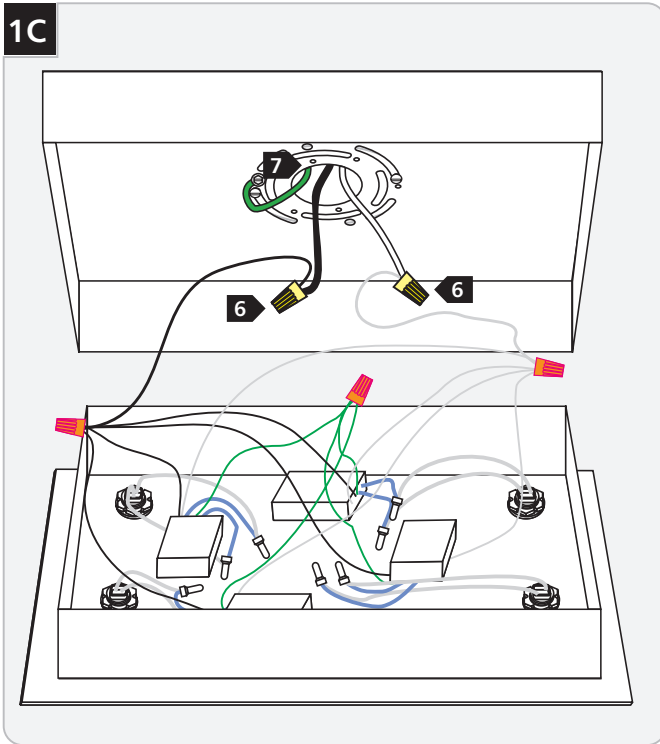
Minimum volume of the electrical box must be 6 cubic inches (98 cubic centimeter).



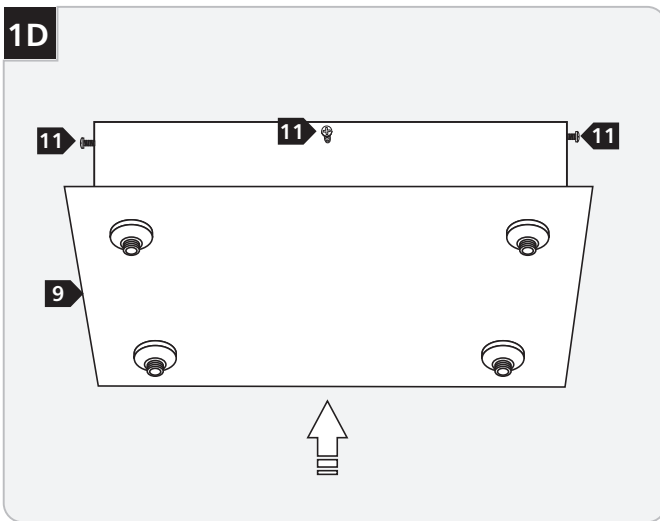
- 1** Remove the four screws around the canopy with a Phillips screwdriver.
- 2** Lift the mounting plate from housing.



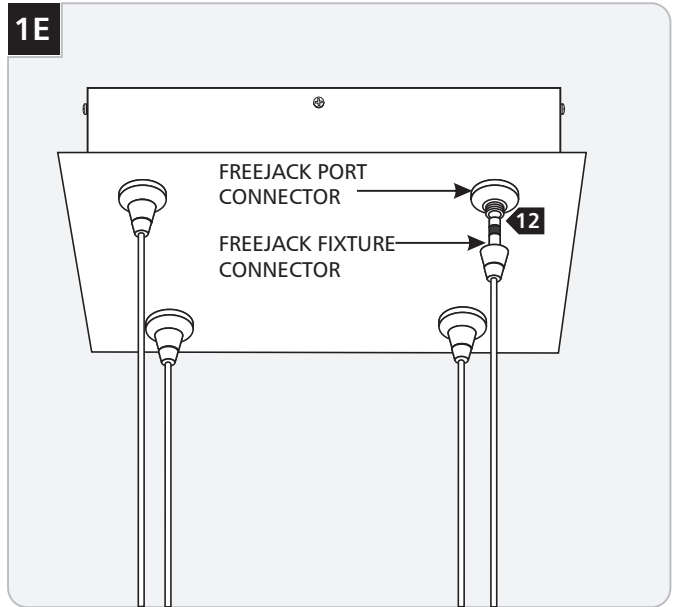
- 3** Feed the 120 volt power line wires through the mounting plate center hole.
- 4** Line up mounting plate slots with the electrical box holes.
- 5** Install the mounting plate to the electrical box with the two #8-32 screws.



- 6** Connect the black wire to the hot power line wire and the white wire to the neutral power line wire with wire nuts.
- 7** Connect the green ground wire to the mounting plate with the ground screw provided. Make sure that the mounting plate is grounded in accordance with local electrical codes.
- 8** Place the wires properly inside the mounting plate.



- 9** Slide the housing onto the mounting plate.
- 10** Line up the housing holes with the mounting plate.
- 11** Replace and tighten the four screws to secure the canopy.



- 12** Screw the FreeJack fixture connector to the FreeJack port connector.

SAVE THESE INSTRUCTIONS!



7400 Linder Ave, Skokie, IL 60077
847.410.4400

www.techlighting.com

© 2008 Tech Lighting, L.L.C. All rights reserved. The "Tech Lighting" graphic is a registered trademark of Tech Lighting, L.L.C. Tech Lighting reserves the right to change specifications for product improvements without notification.
A Generation Brands Company