

2" Square Flush Canopy

700FJ2SQ67_

1.7



SINGLE PORT CANOPIES

GENERAL PRODUCT INFORMATION:

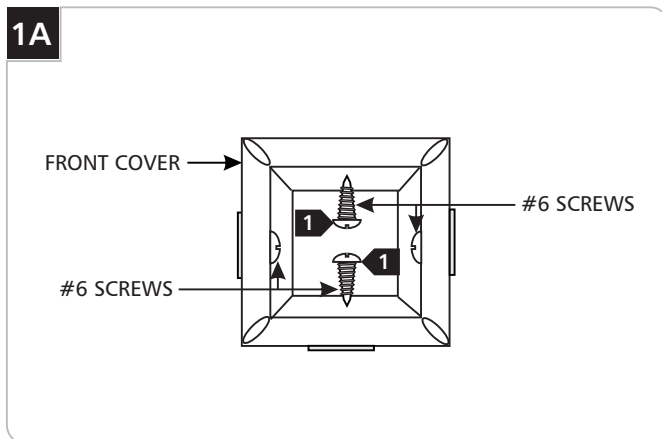
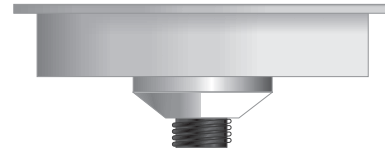


This product is suitable for indoor dry locations only.

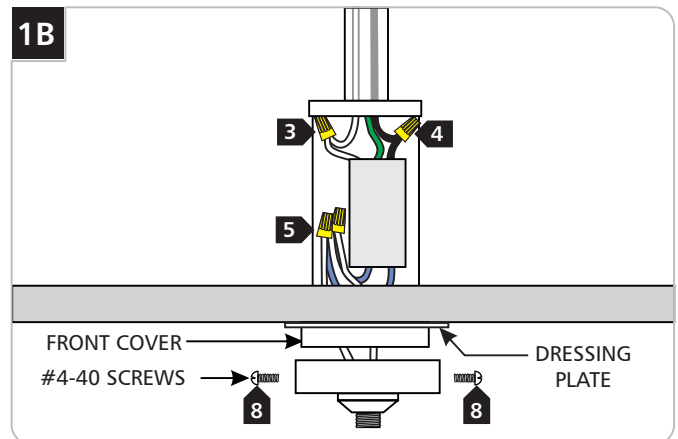
Install the 2" electrical box prior to these steps.

This product can be dimmed with a standard incandescent dimmer.

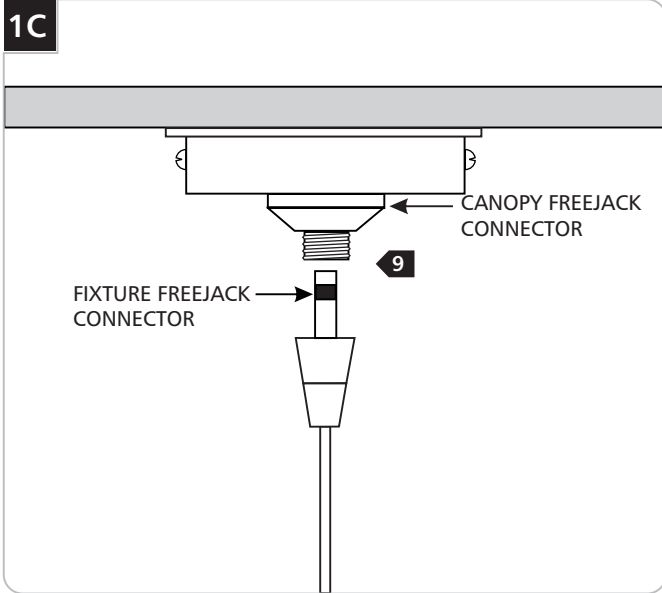
Minimum volume of the electrical box must be 6 cubic inches (98 cubic centimeter).



1 Remove two #6 opposing screws from the front cover of the 2" Electrical box.



- 2** In accordance with local electrical codes, ground the transformer green wire.
- 3** Connect the 120 volt white transformer wire to the 120 volt neutral power line wire with a wire nut.
- 4** Connect the 120 volt black transformer wire to the 120 volt hot power line wire with a wire nut.
- 5** Connect the 12 volt transformer wires to the 2" square canopy wires with wire nuts.
- 6** Place the transformer and all the wires inside the 2" electrical box. Use the adhesive pads to secure the transformer in the electrical box.
- 7** Replace and tighten the two #6 screws on the front canopy.
- 8** Mount the 2" square canopy to the 2" electrical box with two #4 screws from the both sides.



- 9 Screw the fixture FreeJack connector into the canopy FreeJack connector.

SAVE THESE INSTRUCTIONS!

 **TECH LIGHTING®**
7400 Linder Ave, Skokie, IL 60077
847.410.4400
www.techlighting.com

© 2008 Tech Lighting, L.L.C. All rights reserved. The "Tech Lighting" graphic is a registered trademark of Tech Lighting, L.L.C. Tech Lighting reserves the right to change specifications for product improvements without notification.
A Generation Brands Company