

Specification



U.3760L • U.3760LS

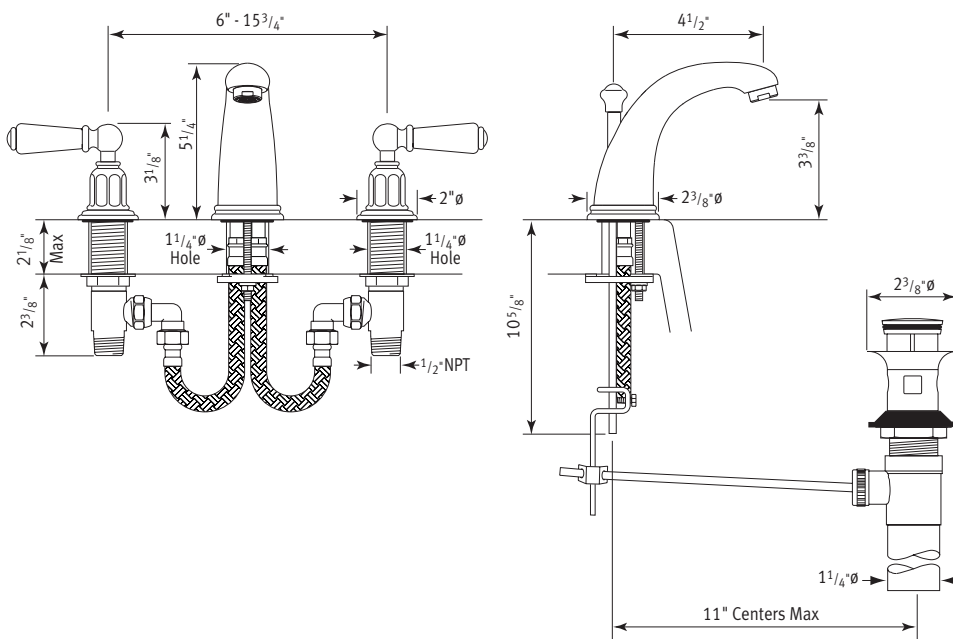
Three Hole Lav Widespread with High 115 Spout and Porcelain Lever Handles,
Three Hole Lav Widespread with High 115 Spout and Solid Metal Lever Handles.

- 1/4 turn ceramic disc flow control ● Vernier insert for accurate handle alignment ●
- Unique handle construction with integral bearing ring ●
- Flexible connectors for easier installation ● Supplied with Pop up Waste ●



Finishes

- Polished Chrome
- Polished Nickel
- Satin Nickel
- Inca Brass
- Polished Chrome/Inca Brass
- Satin Nickel/Inca Brass
- Polished Nickel/Inca Brass



Packed Weight:

3.8Kg / 8 1/2 lbs

Temp Range:

Min 1°C / 34°F

Max 85°C / 185°F

Recommended working pressure:

Min 1 bar / 15psi

Max 5 bar / 75 psi

Specification

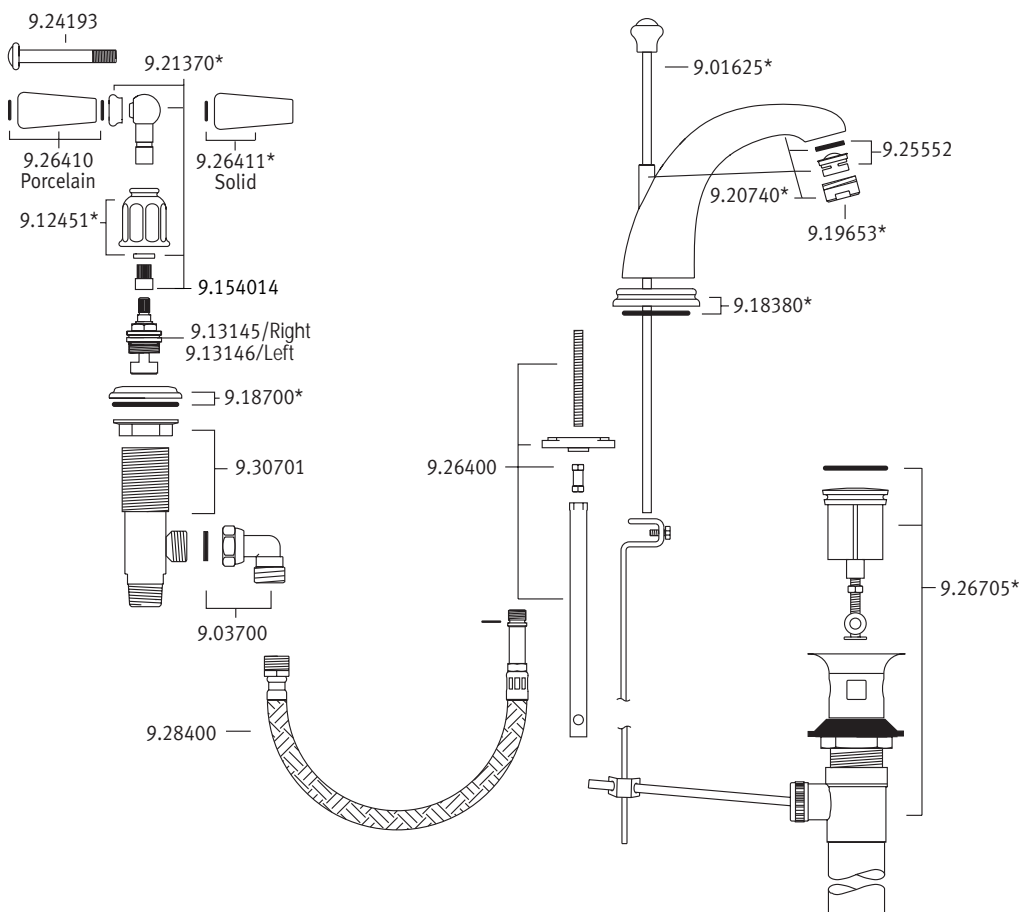


U.3760L • U.3760LS

Three Hole Lav Widespread with High 115 Spout and Porcelain Lever Handles,
 Three Hole Lav Widespread with High 115 Spout and Solid Metal Lever Handles.

- 1/4 turn ceramic disc flow control ● Vernier insert for accurate handle alignment ●
- Unique handle construction with integral bearing ring ●
- Flexible connectors for easier installation ● Supplied with Pop up Waste ●

Where * Indicated Specify Color.



Parts Breakdown