

**U2
U3**

UNDERGLOW®

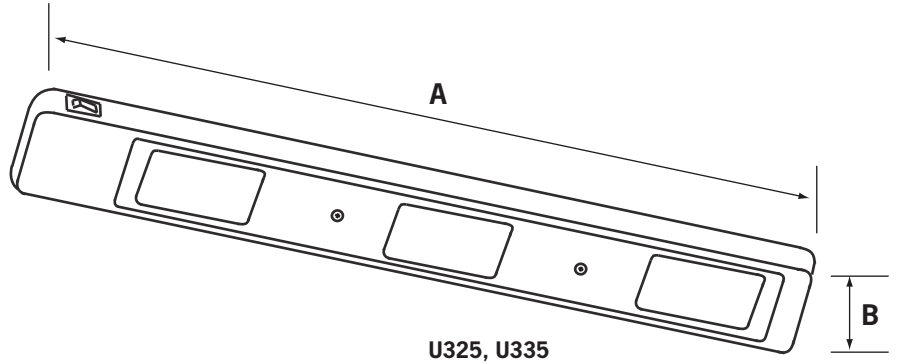
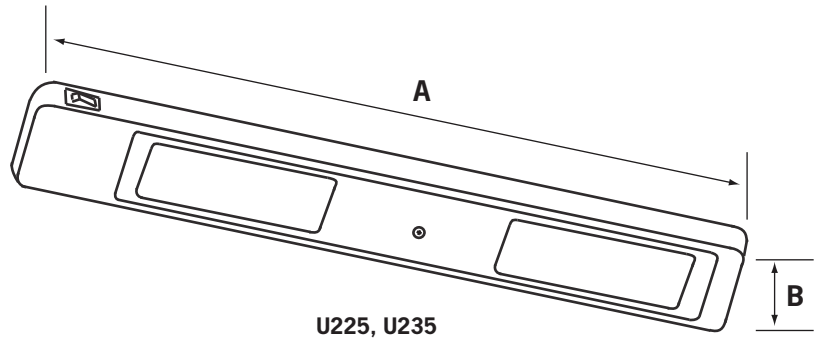
**25W and 35W
Undercabinet Lighting**

Catalog No. _____

Type _____

Project _____

DIMENSIONS		
Model	A	B
U225	13"	2"
U235	15-15/16"	3-3/16"
U325	20-3/4"	2"
U335	23-7/8"	3-3/16"



Specifications/Features

Housing/Mounting

This undercabinet fixture offers the excellent color and efficiency of halogen lamps. Ideal for the illumination of office work stations, credenzas or commercial displays, and residential applications such as kitchen counter tops, workshop tables and entertainment centers.

Ultra compact design; only 1" deep.

Instant-On performance, without the delay and flicker from most fluorescent fixtures.

Choice of two levels of illumination via 3-position (Lo/Off/Hi) switch.

Direct wire models.

Diffuse tempered glass lenses for even comfortable lighting without hot spots.

Optional wiring kit allows fixtures to be wired end-to-end for multiple unit applications.

Lamp/Electrical

U225: (2) 25W T4 120 Volt max, (supplied).

U235: (3) 25W T4 120 Volt max, (supplied).

U325: (2) 35W T4 120 Volt max, (supplied).

U335: (3) 35W T4 120 Volt max, (supplied).

Warranty

This fixture is covered by Con-Tech's full one (1) year replacement guarantee after date of purchase.

Listing

cULus listed. Suitable for dry locations.

Ordering Information

Example Order: -

Housing

Finish

Accessories

- U225** - 25W 2-Lamp Direct Wire Fixture
- U325** - 25W 3-Lamp Direct Wire Fixture
- U235** - 35W 2-Lamp Direct Wire Fixture
- U335** - 35W 3-Lamp Direct Wire Fixture

- P** - White
- B** - Black

U-KIT - Wiring Kit
To wire undercabinet lights end-to-end for multiple unit applications. Includes nipple, locknuts, bushings and connecting wires.

