



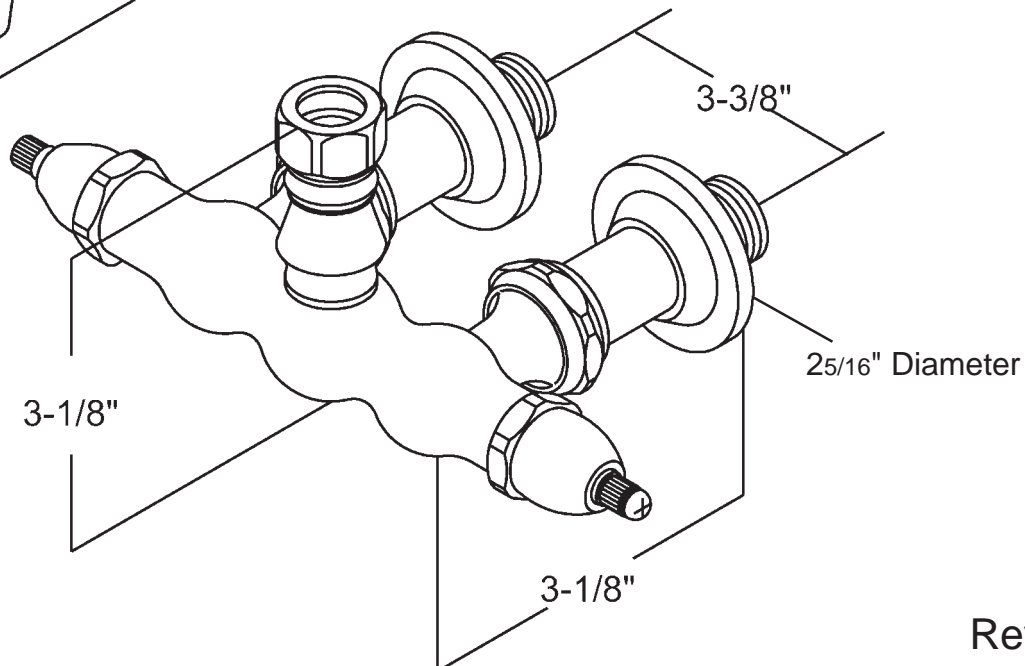
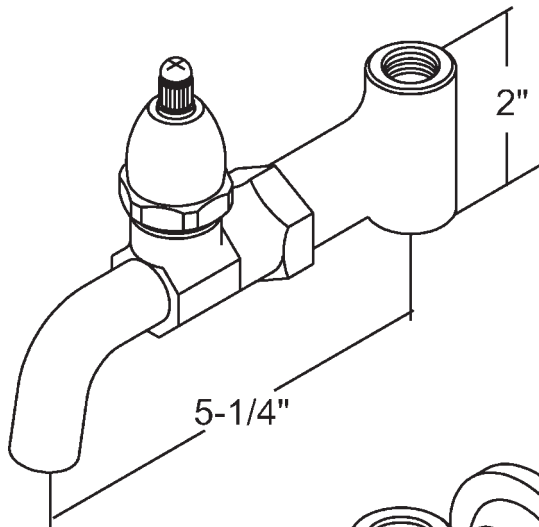
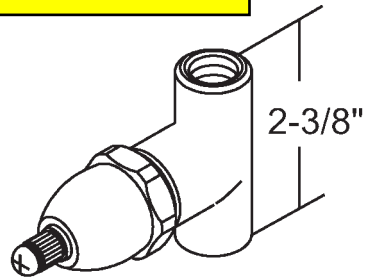
# Specification for TW27 - TW29

REQUIRES PURCHASE OF SEPARATE SHOWER  
RISER AND ENCLOSURE -- PLEASE SEE  
CATALOG FOR AVAILABLE OPTIONS

Tubwall Mount  
1/4" Turn Washerless Cartridges

Tub Filler Flow Rate :  
6.0 GPM @ 60 PSI

Inlets: 1" OD  
Total Thread Length: 1 15/16"  
Thread Length w/Esc: 1 3/8"





# Specification for TW27 - TW29 (Cont.)

