

Features

- Brass construction
- Dual control wall-mounted
- Less drain
- Stationary spout
- 8-1/4" (20.6 cm) spout reach
- ADA compliant Stately cross handles
- 1.5 gallons (5.7 liters) per minute maximum flow rate

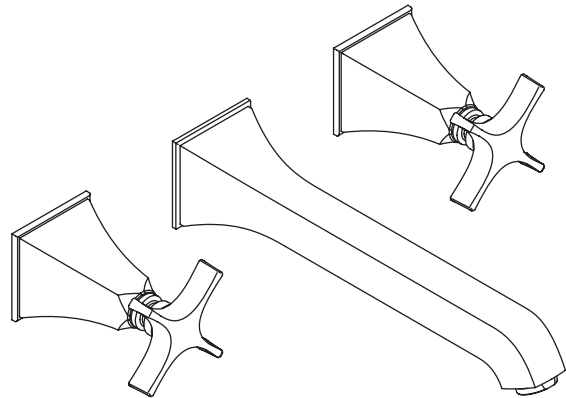
**WALL-MOUNT LAVATORY FAUCET TRIM
K-T448**



Codes/Standards Applicable

Specified model meets or exceeds the following at date of manufacture:

- ADA
- ASME 112.18.1/CSA B125
- ICC/ANSI A117.1
- Energy Policy Act of 1992
- EPA WaterSense®
- All applicable US Federal and State material regulations



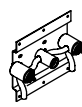
Colors/Finishes

- CP: Polished Chrome
- Other: Refer to Price Book for additional colors/finishes

Accessories

- NA: None applicable
- CP: Polished Chrome
- Other: Refer to Price Book for additional colors/finishes

Specified Model

| Model | Description | Colors/Finishes |
|-----------------------------|---------------------------------|---|
| K-T448-3S | Wall-mount lavatory faucet trim | <input type="checkbox"/> CP <input type="checkbox"/> Other _____ |
| Required Accessories | |  |
| K-410-K | Two-handle ceramic valve | <input type="checkbox"/> NA |

Product Specification

The wall-mount lavatory faucet trim shall be of brass construction. Product shall have a maximum flow rate of 1.5 gallons (5.7 liters) per minute. Product shall be dual control wall-mounted. Product shall feature a 8-1/4" (20.6 cm) spout reach, stationary spout, and ADA compliant Stately cross handles. Product shall be less drain. Faucet shall be Kohler Model K-T448-3S - _____ with required K-410-K-NA valve.

MEMOIRS®

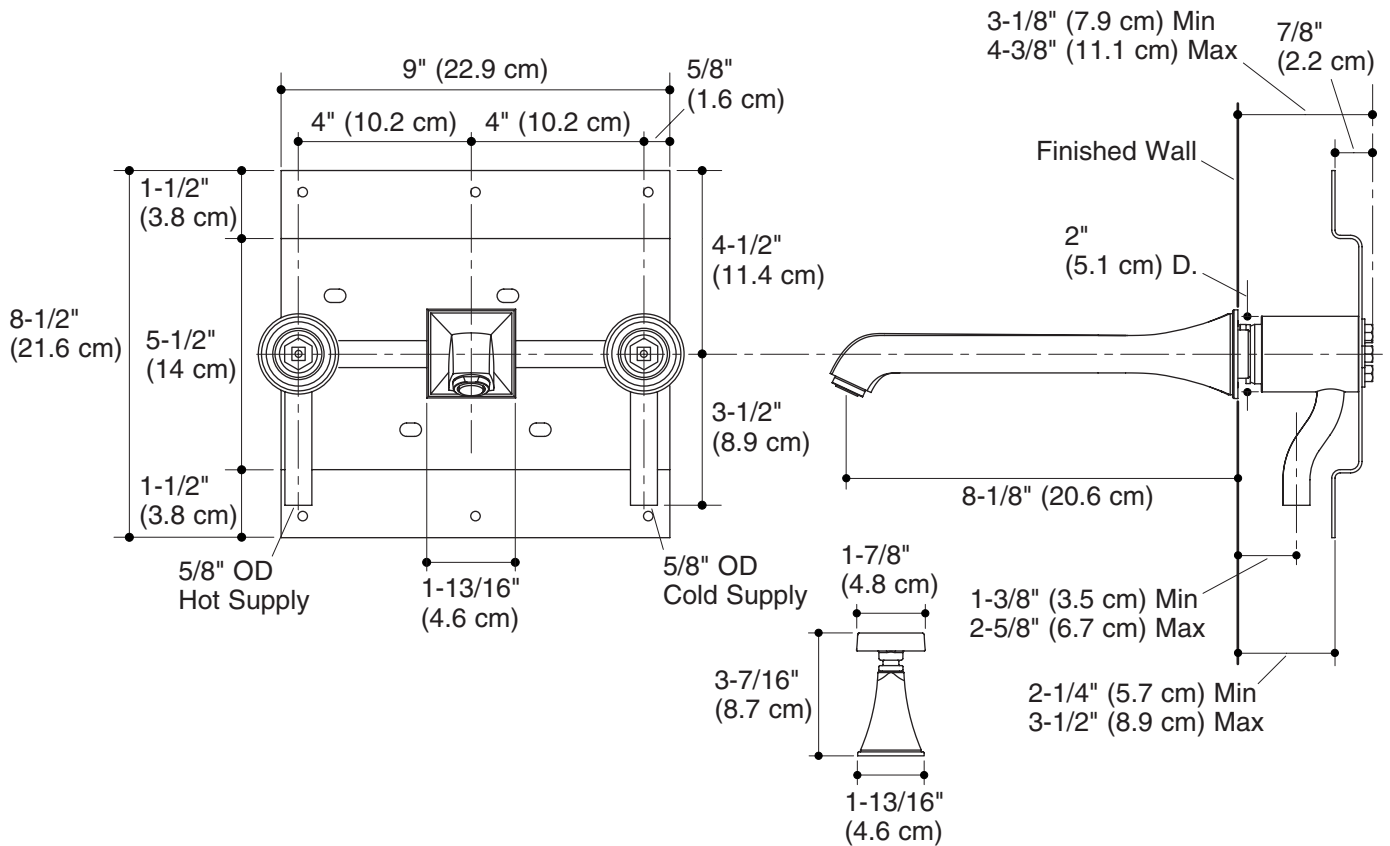
| Optional Accessories | | | | |
|----------------------|--|-----------------------------|-------------------------------------|-----------------------------|
| K-7114 | Undercounter pop-up lavatory drain with tailpiece OR | <input type="checkbox"/> CP | <input type="checkbox"/> Other_____ | |
| K-7124 | Touch activated lavatory drain with tailpiece OR | <input type="checkbox"/> CP | <input type="checkbox"/> Other_____ | |
| K-7127 | Lavatory drain with non-removable metal stopper and tailpiece – 3" rough OR | <input type="checkbox"/> CP | <input type="checkbox"/> Other_____ | |
| K-7129 | Lavatory grid drain with tailpiece | <input type="checkbox"/> CP | <input type="checkbox"/> Other_____ | |
| _____ | Additional flow options are available (refer to the Kohler Price Book) | | | <input type="checkbox"/> NA |

Installation Notes

Install this product according to the installation guide.

A minimum distance of 1-1/2" (3.8 cm) to 6" (15.2 cm) must be maintained between the bottom of the spout and the top of the fixture rim.

Three 1-1/2" (3.8 cm) diameter cut-out holes are required for the spout and handles.



Product Diagram