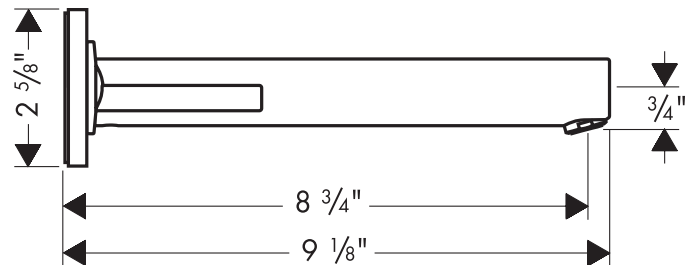
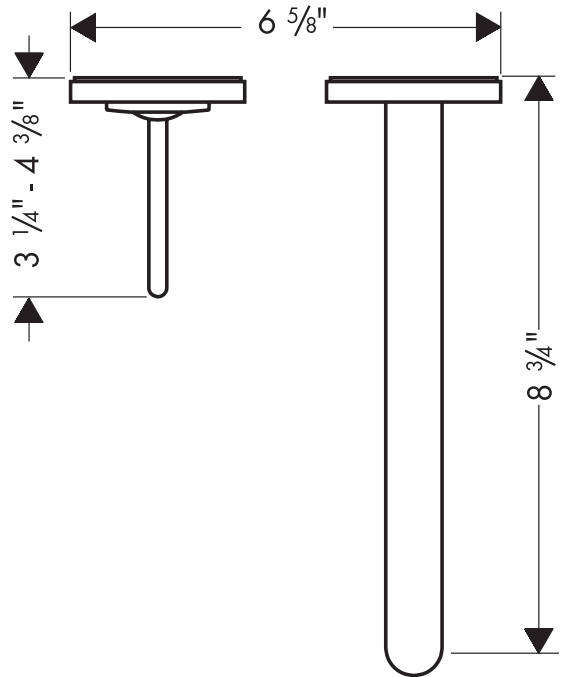
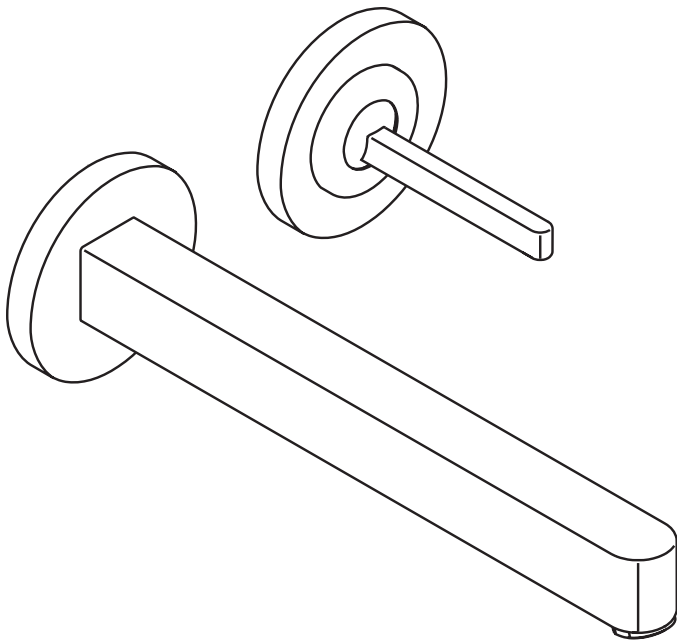


# Axor Steel Wall-mounted Single Handle Lav Set

35116801

Available in Steel



## Product Specification

Stainless steel

Ceramic cartridge

ADA compliant

Requires rough 38111181 (not included)

Suggested accessory: grid drain 06400800 (not included)