

RXEL18 — LED Exit / Emergency Light



- RXEL18GW** Green Letters with White Housing
- RXEL18GW-RC** Green Letters with White Housing—Remote Capable
- RXEL18GW-SD** Green Letters with White Housing—Self Diagnostic
- RXEL18RW** Red Letters with White Housing
- RXEL18RW-RC** Red Letters with White Housing—Remote Capable
- RXEL18RW-SD** Red Letters with White Housing—Self Diagnostic

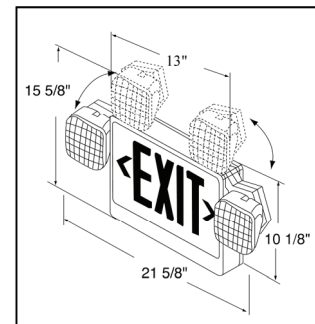
Features:

- Two fully adjustable 5.6W heads.
- Single or double faced.
- Compact low profile design.
- Energy consumption of 2 watts for red letters and 1 watt for green letters.
- 25 year LED lamp life.
- Universal mounting canopy for wall or top installation.
- Quick installation prismatic louvered downlight.
- Flame retardant, high-impact thermoplastic housing.
- Universal snap-in and out chevron design meets all new state and local codes (UL924).
- 120V / 277V
- Moving swing arm unit.
- UL listed.
- Limited 5 year warranty.
- Completely self-contained.
- Backed by Lead-Calcium battery and Ni-Cad battery.
- Operating temperature range: 14° F (-10° C) to 104° F (40° C)
- Damp location listed

Operation:

The LED exit sign is constantly illuminated by normal AC power. Whenever normal AC current fails, the internal solid state transfer switch automatically connects the internal battery to the LED lamps to keep the exit sign continuously lit for 90 minutes. At the same time, backup battery power is also supplied to the two lamp heads, lighting a path of egress for no less than 90 minutes.

When AC power is restored, the battery is recharged by the onboard solid state charger and is accomplished within 24 hours.



<p>Project:</p> <hr/> <p>Contact:</p> <hr/> <p>Location:</p> <hr/> <p>Fixture Type:</p>	<table border="1" style="width: 100%;"> <thead> <tr> <th style="width: 15%;">Quantity</th> <th>Remarks</th> </tr> </thead> <tbody> <tr> <td style="height: 100px;"> </td> <td> </td> </tr> </tbody> </table>	Quantity	Remarks		
Quantity	Remarks				