

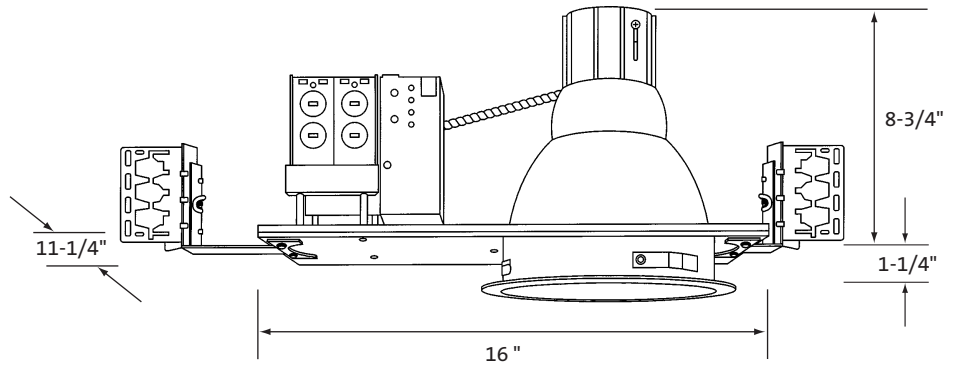
RL6

6" Metal Halide Vertical Lamp Recessed Housing, Magnetic or Electronic Ballast

Catalog No. _____

Type _____

Project _____



Shown with Electronic Ballast and Trim Option Installed
Ceiling Opening: 7"

Specifications/Features

Housing/Mounting

Excellent choice for retail and commercial spaces. Designed for tall ceiling or increased illumination applications.

Heat sink prevents lamp overheating.

Socket position adjusts 1-1/2" for various lamps and various distribution patterns.

Large junction box. Easily accessed from above or below the ceiling. (8) 1/2" knockouts, (2) concentric 1/2" and 3/4" knockouts and (8) Romex knockouts.

Supplied with RL-KIT providing up to 5" of vertical adjustment.

Accessories for mounting in solid or suspended ceilings.

Lamps

Metal halide efficacies up to 88 lumens/watt for less energy usage.

Rated lamp life of 9,000 to 15,000 hours for reduced maintenance over incandescent lamps.

All lamps must be PROTECTED (P) for use in open fixtures unless you are using the wet location lensed trim series (CTR6731).

Electrical Specifications

20W: 24W Input Power, 120V: 0.21A/277V: 0.10A

39W: 44W Input Power, 120V: 0.39A/277V: 0.17A

50W: 58W Input Power, 120V: 0.49A/277V: 0.21A

70W: 79W Input Power, 120V: 0.67A/277V: 0.29A

100W: 110W Input Power, 120V: 0.90A/277V: 0.41A

Electronic Ballast

Option of 120V or 277V for 50/60Hz operation.

Constant power design adjusts to line and lamp voltage fluctuations which reduces lamp color variations and provides good color rendition.

Extends lamp life up to 20% longer than magnetic ballasts.

End-of-life circuit and thermal protection for maximum safety.

Class A sound rating meets indoor application requirements.

(5) year manufacturer's warranty.

Magnetic Ballast

Dual voltage (120/277V) for convenience.

(2) year manufacturer's warranty.

Trims

Commercial Grade trims are available in several different finishes to complement your space. Commercial Grade trims have white trim flanges.

Specification Grade trims have a high quality Alzak™ low iridescence finish and are optically designed for maximum lumen output. Available with white painted flange. Consult factory for custom finishes.

Warranty

This fixture is covered by Con-Tech's one year full replacement guarantee after date of installation.

Listing

cULus listed. Suitable for damp locations.

Ordering Information

Example Order: - - -

Housing

By Lamp Type:

RL620MH - 20W/PAR30LN

RL639MH - 39W/PAR30LN

RL650MH - 50W/ED-17P

RL670MH - 70W/ED-17P

70W/PAR30LN

RL610MH - 100W/ED-17P

Ballast/Voltage

M - Magnetic Ballast

(120/277 Volts,
39-100 Watt only)

E - 120V Electronic Ballast

E 277V - 277V Electronic Ballast

Trims

Specification Grade Trims:

Alzak™ finish and self-flanged. Add "WPF" to number for white painted flange.

CST6322V-CLR - Clear Specular Reflector

CST6322V-PL - Platinum Matte Reflector

CST6423V-CLR - Clear Wall Wash

CST6423V-PL - Platinum Wall Wash

Options

HB-24 - 27" flat bar hangers

HBC-24 - 25" heavy duty

C-channel hanger

NOTE: Not all metal halide lamps have been tested on or are compatible with electronic metal halide ballasts. "Ceramic" arc tube metal halide lamps are highly recommended. Both the lamp manufacturer and Aromat (www.aromat.com or 1-888-4-AROMAT) should be consulted for compatibility BEFORE LAMPS ARE PURCHASED.

For Commercial Grade Trims, see "Trims for 6" Vertical Metal Halide Lamp Recessed Housings" spec sheet.



1-800-728-0312

www.con-techlighting.com

All specifications subject to change without notice.