

REL9W — Wet Location Emergency Light



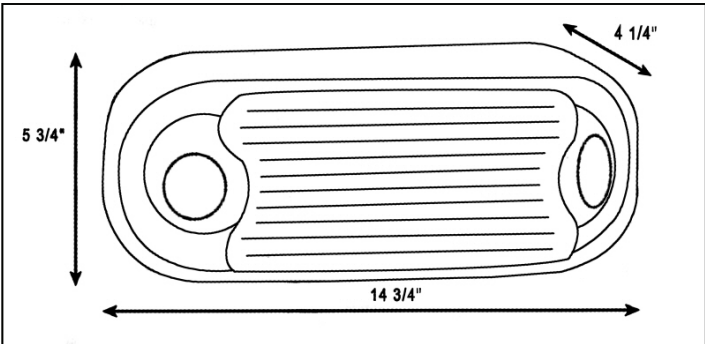
REL9W Emergency Light

Features:

- UV Fiberglass, corrosion resistant enclosure.
- 1-1/2 hr of light to an end battery voltage of 87-1/2% of nominal voltage.
- Automatic brownout feature.
- Meets NEC, OSHA, NAPA life safety codes.
- Solid-state charging circuit. Solid-state line-latched low voltage disconnect provides 100% load disconnect protection to guard against battery deep discharge.
- Short circuit and overload protection on DC output circuit.
- Sealed momentary test switch.
- Sealed AC ready light.
- AC lockout feature reduces installation time.
- Wet location listed.
- Operating temperature range: 14° F (-10° C) to 104° F (40° C)
- Limited 5 year warranty.
- 120V / 277V
- UL, ETL listed.

Operation:

Wet location emergency lights are designed for wet and corrosive environments. A gasket-protected housing completely seals all of the electrical component connections from corrosive atmospheres, non-hazardous dust, water spray, even regular hose-downs. Ideal for industrial use or any low profile, gymnasium, etc.



Project:
Contact:
Location:
Fixture Type:

Quantity	Remarks