

WARNING:

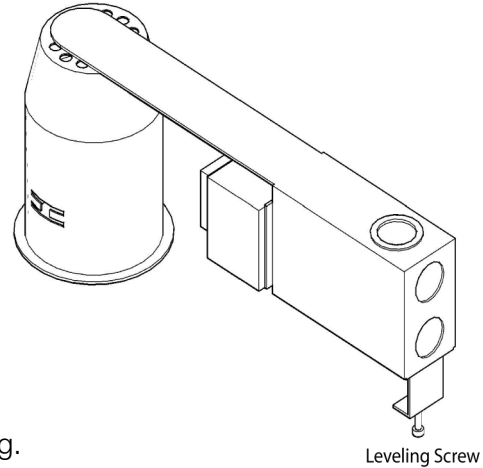
To prevent risk of electric shock, fire, or other personal injury **DO NOT** install, service, and relamp any lighting fixtures contrary to these instructions, product labels, and all applicable codes.


RE-RMH For Remodeling with Non-Insulated Ceiling

Save this instruction sheet for future reference

Installation Instructions:

1. Accurately cut a 3" diameter hole in the ceiling.
2. On the remodel housing, remove either side of the J-box covers.
3. Connect the whip to a J-box knock-out, using trade size 1/2" connectors for conduit or Romex.
4. Connect the wires in the junction box with proper wire nuts.
5. Adjust leveling screw accordingly to make the trim level with ceiling.
6. Push the housing in the ceiling hole, secure it flush to the ceiling with side clips.



The side clips insert into the horizontal part of the “” slot, then slide down vertically. The fixture is ready to accommodate the trim.

IMPORTANT:

1. Disconnect power before installing, servicing or relamping.
2. 50 Watts maximum lamp wattage.
3. Install **ONLY** if you are a **QUALIFIED ELECTRICIAN** who is familiar with all applicable codes. **DO NOT** install this fixture if you have any questions regarding its safe installation and operation.
4. If dropped or broken, this fixture may expose the installer and cause a threat to those in its immediate proximity to scrapes, cuts, punctures, or other serious injury. The use of protective equipment such as gloves, hard-hats, and safety glasses are required by state and local agencies.
5. **WARNING:** Fire hazards are present if any of the light emitting by this fixture is blocked, or any items comes within proximity of this fixture.
6. **DO NOT** install fixture in any area containing combustible items or explosive vapors.
7. **ALWAYS KEEP THIS SHEET FOR FUTURE REFERENCE.**