

# RAB LIGHTING

## YLM175



JOB NAME: \_\_\_\_\_  
 DATE: \_\_\_\_\_  
 TYPE: \_\_\_\_\_

### DESCRIPTION

175 watt Mercury Vapor or 70 watt HPS models. Photocontrol controlled for automatic Dusk-to-Dawn operation. Die cast aluminum housing with silver gray polyester powder coat paint. 24" curved mounting arm available. Lamp supplied.

### SPECIFICATIONS

#### Housing:

Precision die cast aluminum with gray polyester powder coat finish

#### Reflector:

Hydroformed aluminum

#### Refractor:

Acrylic

#### Socket:

Porcelain 4kv Pulse Rated with spring loaded center contact

#### UL Listing:

Suitable for wet locations

#### Patents:

RAB sensor and fixture designs are protected under U.S. and International Intellectual Property laws

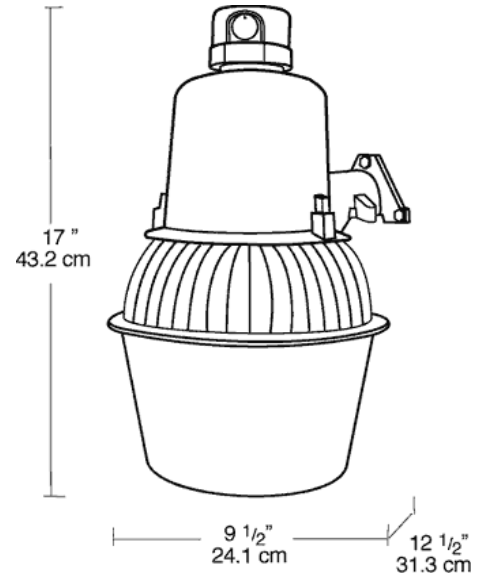
#### Color:

Silver gray

#### Weight:

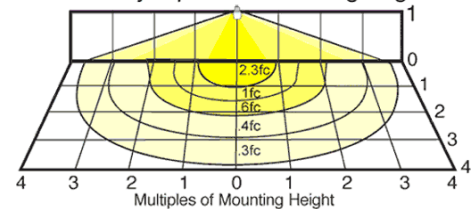
8.25

### DIMENSIONS



### PHOTOMETRIC

175w Mercury Vapor @ 12' Mounting Height



Mounting Height	Multiplier
8'	2.3
12'	1.0
16'	.6
20'	.4
24'	.3

HPS Watts	Multiplier
70	.8
150	2.0

### ORDERING INFORMATION

#### Mercury Vapor

Lamp supplied with fixture

Total Watts	Lamp Type	Lamp Base	Ballast	Starting Amps/ Operating Amps				Input Watts	LAMP ANSI	Initial Lumens	Lamp Hours
				120V	208V	240V	277V				
175	ED28	Mogul	R-NPF 120V	3.5	1.8			215	H39	7900	24000

#### Factory Installed Options

Add suffix to Catalog Number

Note: Specifications may change without notice

RAB Lighting, Inc. • 170 Ludlow Ave • Northvale, NJ 07647 • Tel: 888 RAB-1000 • Fax: 888 RAB-1232 • www.rabweb.com  
 © 2008