



R90MA



JOB NAME: _____
 DATE: _____
 TYPE: _____

DESCRIPTION

The economical R90 floodlight with a molded silicone external gasket to insure superior weatherproof seal. Epoxy powder coating. PAR38 150 watt max. Lamp not supplied.

SPECIFICATIONS

Housings:

Precision die cast aluminum. Tuffly flood is molded plastic

Sockets:

Porcelain with all copper current carrying components and spring loaded center contact

Swivels:

Fully adjustable with sure-grip locks. 1/2" NPS threaded arm with locking swivel fits all standard mounting covers.

UL Listing:

Suitable for wet locations.

Lamp:

Medium base PAR38 lamps up to 150 watts. lamp not supplied

Patents:

RAB sensor and fixture designs are protected under U.S. and International Intellectual Property laws

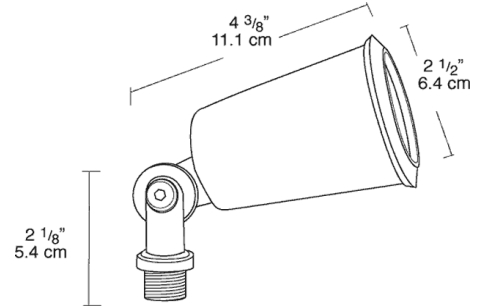
Color:

Bronze

Weight:

0.4

DIMENSIONS



ORDERING INFORMATION

Total Watts	Lamp Type	Lamp Base	Ballast	Starting Amps/ Operating Amps				Input Watts	LAMP ANSI	Initial Lumens	Lamp Hours
				120V	208V	240V	277V				
150	0	Medium	0	0	0	0	0	0	1900	2000	

Factory Installed Options

Add suffix to Catalog Number

Note: Specifications may change without notice

RAB Lighting, Inc. • 170 Ludlow Ave • Northvale, NJ 07647 • Tel: 888 RAB-1000 • Fax: 888 RAB-1232 • www.rabweb.com

© 2008