

# RAB LIGHTING QF150CL



JOB NAME: \_\_\_\_\_  
 DATE: \_\_\_\_\_  
 TYPE: \_\_\_\_\_

## DESCRIPTION

Light weight 150 watt worklight with heavy duty clamp and hook for quick and easy positioning. Weatherproof on/off switch, tempered glass and extra deep guard. 5' power cord with grounded plug. 150 watt, 130 volt Lamp supplied.

## SPECIFICATIONS

### Finish:

Chip and fade resistant polyester powder coating

### Housing:

Precision die cast aluminum

### Lens Gasket:

High temperature tubular silicone in retaining groove remains in place during relamping

### Lens:

Tempered, shock resistant glass

### Power Cord:

Heavy duty rubber clad with grounded plug

### Reflector:

Pebbled, anodized aluminum

### Socket:

Porcelain with spring loaded contacts

### UL Listing:

Suitable for wet locations

### Patents:

RAB sensor and fixture designs are protected under U.S. and International Intellectual Property laws

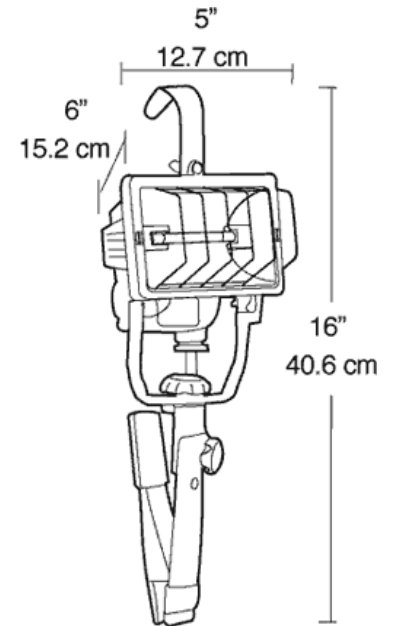
### Color:

Safety yellow

### Weight:

2.4

## DIMENSIONS



## ORDERING INFORMATION

**Double Ended Quartz Halogen**  
 Lamp supplied with fixture

Total Watts	Lamp Type	Lamp Base	Ballast	Starting Amps/ Operating Amps				Input Watts	LAMP ANSI	Initial Lumens	Lamp Hours
				120V	208V	240V	277V				
150	0	Double Ended RSC	0	0	0	0	0	0	2800	2000	

**Factory Installed Options**  
 Add suffix to Catalog Number

Note: Specifications may change without notice

**RAB Lighting, Inc.** • 170 Ludlow Ave • Northvale, NJ 07647 • Tel: 888 RAB-1000 • Fax: 888 RAB-1232 • www.rabweb.com  
 © 2008