

RAB LIGHTING

FZH250QT



JOB NAME: _____
 DATE: _____
 TYPE: _____

DESCRIPTION

Compact, tough and good looking cast aluminum housing with steel trunnion mount for easy surface mounting and aiming flexibility. Stainless steel screws. Lamp supplied.

SPECIFICATIONS

Finish:

Chip and fade resistant polyester powder coating

Housing:

Precision die cast aluminum

Lens Gasket:

Molded one-piece silicone in die cast retaining groove to remain in place during relamping

Tempered shock resistant glass

Reflector:

High quality anodized aluminum

Socket:

Glazed porcelain 4kv pulse rated with nickel plated screw shell and spring contacts

UL Listing:

Suitable for wet locations. Suitable for mounting within 4' of the ground.

EPA:

1.3

Patents:

Pat. D547,477

Quad Tap:

Fixture works with 120, 208, 240 and 277 Volts

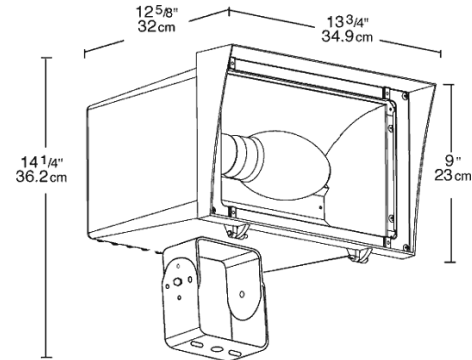
Color:

Bronze

Weight:

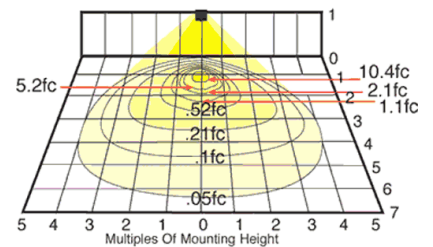
27.17

DIMENSIONS



PHOTOMETRIC

400w HPS fixture @30' mounting height aimed @45° below horizontal



| Mounting Height | Multiplier | Watts | Multiplier |
|-----------------|------------|-------|------------|
| 40' | .6 | 175 | .3 |
| 30' | 1.0 | 200PS | .4 |
| 25' | 1.4 | 250 | .6 .4 |
| 20' | 2.3 | 250PS | .5 |
| 15' | 4.0 | 320PS | .6 |
| | | 350PS | .7 |
| | | 400 | 1.0 .7 |
| | | 400PS | .8 |

ORDERING INFORMATION

| Metal Halide Lamp supplied with fixture | Total Watts | Lamp Type | Lamp Base | Ballast | Starting Amps/ Operating Amps | | | | Input Watts | LAMP ANSI | Initial Lumens | Lamp Hours |
|--|----------------|--------------|--------------|------------|-------------------------------|---------|---------|---------|----------------|--------------|-------------------|---------------|
| | | | | | 120V | 208V | 240V | 277V | | | | |
| | 250 | ED28 | Mogul | CWA-HPF QT | 2.2/2.5 | 1.3/1.5 | 1.1/1.3 | 1.0/1.1 | 295 | M58 | 21000 | 10000 |

Factory Installed Options
 Add suffix to Catalog Number

Swivel Photocontrol wired for 120V (/PCS) Button Photocontrol wired for 120V (/PC)
 Button Photocontrol wired for 480 (/PC4) 480 volt only ballast (/480)
 Button Photocontrol wired for 208 - 277V (/PC2)

Note: Specifications may change without notice