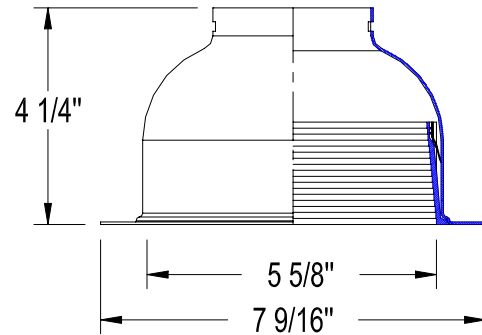


<b>CATALOG NUMBER</b>	<b>TYPE</b>
<b>PROJECT</b>	

**6" LINE VOLTAGE DOWNLIGHT TRIM**

**R6VT-62-S**



**Ordering Matrix**

Series	Model Number	Finish
[ ]	[ ]	[ ]
R6VT	62-S	BK WT

Ordering Example (*series – model number – finish*): R6VT-62-S-BK

**Product Details**

**Description:** Shallow baffle style trim for 6" series line voltage downlights. The full reflector style baffle features precise lamp positioning and performance photometrics while providing visual comfort.

**Materials:** One piece spun aluminum construction. Integral trim ring is painted white, inner baffle is die-cast aluminum in a painted finish. Trim is retained to housing socket via two integral slots that join with the pressure spring clips on the socket.

**Lamping:** Utilizes line voltage medium base incandescent lamps. Compatible with A19, PAR30, BR30 and smaller sized incandescent lamps, 75 watt max. Lamps are ordered separately.

**Finish:** Baffle is available as Black (BK) or White (WT).

**Listing:** U.L. & C.U.L. listed. Suitable for dry and damp locations.

**Specification Features**

- Handles surfaces up to 1".
- "Quick-Ship" item, usually in stock at our distribution centers for immediate shipment requests.
- 2 year W.A.C. Lighting product warranty.
- In installations using the R6VI "frame-in kit" housing, the socket cup adds 2 1/8" to the overall height of the trim.

**Compatible Housings (sold separately):**

R6VI Non IC New Construction 75w maximum lamping		R6VI-ICA IC Rated New Construction Airtight (with RGK kit) 75w maximum lamping		R6VI-S-ICA IC Rated New Construction Airtight (with RGK kit) 75w maximum lamping	
R6VI-R-ICA IC Rated Remodeling Airtight (with RGK kit) 75w maximum lamping		R6VI-B-ICA IC Rated New Construction Airtight (with RGK kit) 75w maximum lamping		R6VI-S-R-ICA IC Rated Remodeling Airtight (with RGK kit) 75w maximum lamping	