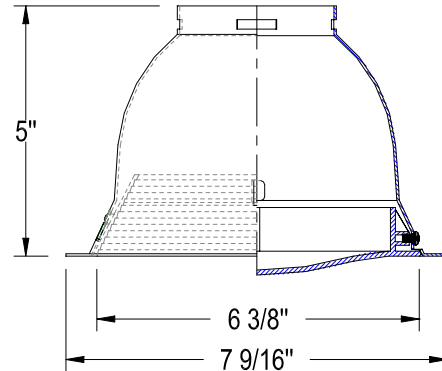


<b>CATALOG NUMBER</b>	<b>TYPE</b>
<b>PROJECT</b>	

**6" LINE VOLTAGE DOWNLIGHT TRIM**

**R6VT-59**



**Ordering Matrix**

Series	Model Number	Finish
[ ]	[ ]	[ ]
R6VT	59	BK WT

Ordering Example (series – model number – finish): R6VT-59-WT

**Product Details**

**Description:** Scoop wall wash with basic baffle trim for select 6" series line voltage downlight housings. The full reflector style baffle trim provides precise lamp positioning and good visual comfort.

**Materials:** One piece spun aluminum construction. Integral trim ring is painted white, inner baffle is die-cast aluminum in a painted finish. Trim is retained to housing socket via two integral slots that join with the pressure spring clips on the socket.

**Lamping:** Utilizes medium base incandescent or 4-pin CFL lamps. Incandescent lamps are rated for up to 100 watts max. Compact Fluorescent lamps are rated for up to 32 watts max. Lamps are ordered separately.

**Finish:** Baffle is available as Black (BK) or White (WT).

**Listing:** U.L. & C.U.L. listed. Suitable for dry and damp locations.

**Specification Features**

- Handles surfaces up to 1".
- Trim can be rotated 350° to allow fine adjustment of the light output.
- Maximum lamp rating for trim dependant on housing selection.
- "Quick-Ship" item, usually in stock at our distribution centers for immediate shipment requests.
- 2 year W.A.C. Lighting product warranty.

**Compatible Housings (sold separately):**

R6VI Non IC New Construction 100w max. A19 75w max. PAR30, BR30		R6VI-ICA IC Rated, Airtight New Construction 50w max. A19 50w max. PAR30, BR30		R6VF-113Q R6VF-113Q-EM IC Rated, Airtight New Construction 13w max. CFL	
R6VI-R-ICA IC Rated, Airtight Remodeling 50w max. A19 50w max. PAR30, BR30		R6VI-B-ICA IC Rated, Airtight New Construction 50w max. A19 50w max. PAR30, BR30		R6VF-126/32T R6VF-126/32T-EM IC Rated, Airtight New Construction 32w max. CFL	