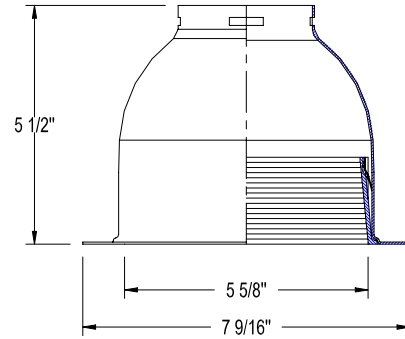


CATALOG NUMBER	TYPE
PROJECT	

6" LINE VOLTAGE DOWNLIGHT TRIM

R6VT-32



Ordering Matrix

Series	Model Number	Finish
[]	[]	[]
R6VT	32	BK WT

Ordering Example (series – model number – finish): R6VT-32-BK

Product Details

Description: Deep step baffle trim for 6" series line voltage downlights. The full reflector style baffle features precise lamp positioning and performance photometrics while providing true visual comfort.

Materials: One piece spun aluminum full reflector cone with integral trim ring. Inner baffle is painted die-cast aluminum. Trim is retained to housing socket via two integral slots that join with the pressure spring clips on the socket.

Lamping: Utilizes medium base incandescent or 4-pin CFL lamps. Incandescent lamps are rated for up to 150 watts max. Compact Fluorescent lamps are rated for up to 32 watts max. Lamps are ordered separately.

Finish: Baffle is available as Black (BK) or White (WT). Trim ring is painted white.

Listing: U.L. & C.U.L. listed. Suitable for dry and damp locations.

Specification Features

- Handles surfaces up to 1".
- Vertical lamp position trim has two socket positions, upper position for larger lamps and lower position for smaller lamps.
- Maximum lamp rating for trim dependant on housing selection.
- "Quick-Ship" item, usually in stock at our distribution centers for immediate shipment requests.
- 2 year W.A.C. Lighting product warranty.

Compatible Housings (sold separately):

R6VI Non IC New Construction 150w max A21, PAR38 75w max PAR30		R6VI-ICA IC Rated, Airtight New Construction 75w max A19 75w max PAR30		R6VF-113Q R6VF-113Q-EM IC Rated, Airtight New Construction 13w max CFL	
R6VI-R-ICA IC Rated, Airtight Remodeling 75w max A19 75w max PAR30		R6VI-B-ICA IC Rated, Airtight New Construction 75w max PAR30 90w max PAR38		R6VF-126/32T R6VF-126/32T-EM IC Rated, Airtight New Construction 32w max CFL	