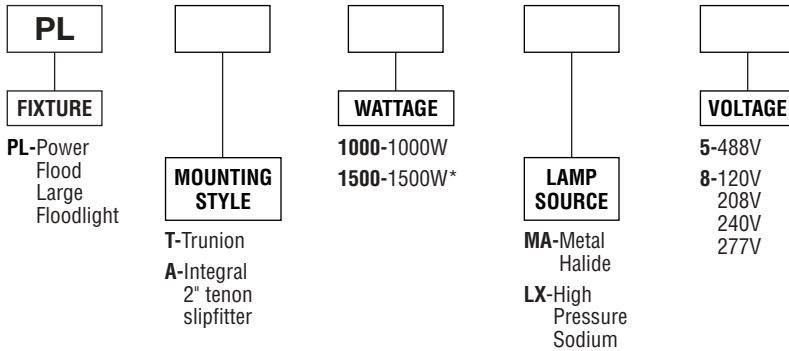


# Power Flood Large Floodlight

## ORDERING INFORMATION

Catalog Number: Example: PLT1000MA8



\*1500W available in Metal Halide only.

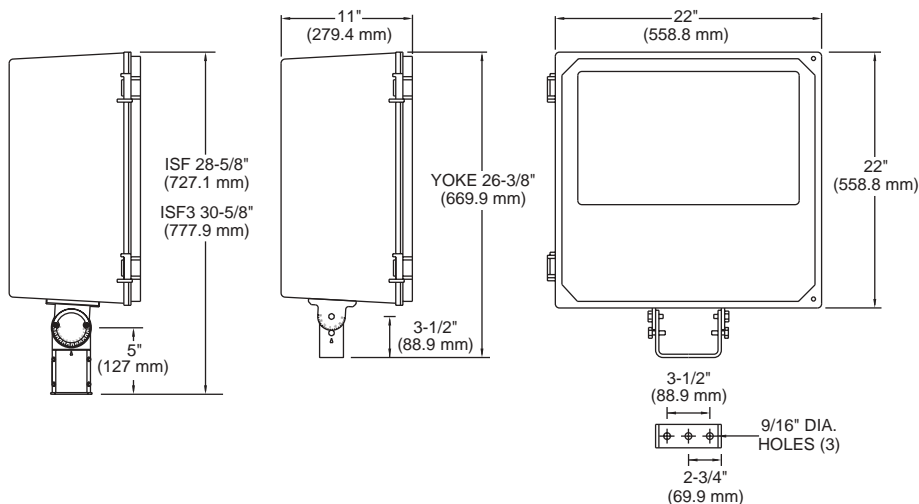
## ACCESSORIES

- SWGL-Wireguard.
- STLV-Visor.
- SVSL-Vandal shield.
- SGGL-Glare shield.

- PL552-Replacement lens.
- SCAB-Cross arm bracket.
- SPWB-Pipe wall bracket.
- ISF-Integral slip fitter.

Mounting Accessories - See page 1-A

## TECHNICAL INFORMATION



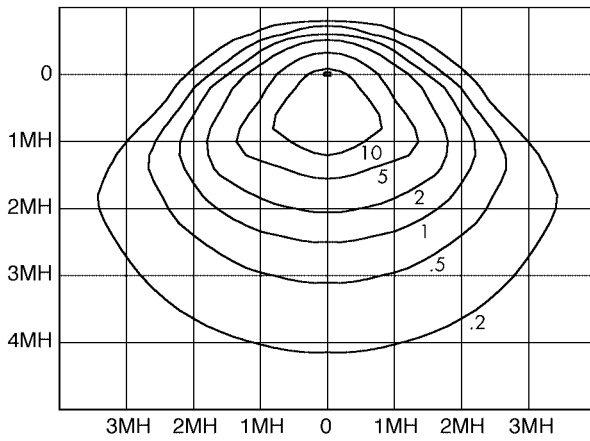
## PRODUCT SPECIFICATIONS

- One piece die cast aluminum door has two captive stainless steel fasteners and can be removed from the die cast aluminum housing for easy maintenance. Tempered glass lens.
- Attractive dark bronze, polyester powder finish for excellent impact, corrosion and UV resistance.
- Extruded silicone rubber gasket for long life.
- Meets all NEMA heavy duty specifications.
- Twin parabolic reflectors for 7x7 are diffused anodized aluminum for maximum efficiency.
- Choice of mountings: adjustable yoke mount (T) or integral slipfitter mount (A).
- UL 1572 Listed for wet locations at 25°C.
- EPA 3.4 FT<sup>2</sup>, approximate weight 63-70 lbs.



UL Wet Location Listed.

## PHOTOMETRICS



PLT1000MA  
 1,000W Metal Halide  
 110,000 Lumens  
 30' Mounting Hgt.  
 45° Aim

FOOTCANDLE CORRECTION  
 Multiply the following factors times the  
 footcandle values for changes in  
 mounting height.

To Change from 30'						
New Height	15'	20'	25'	30'	35'	40'
Factor	4.0	2.25	1.44	1.0	.74	.56