

0X6 Series

Roman Tub Valve

Two-Handle

3-Hole Installation

Ceramic Disc Valves

Highlights

- Loose Body
- Valve Only
- Solid Brass Construction

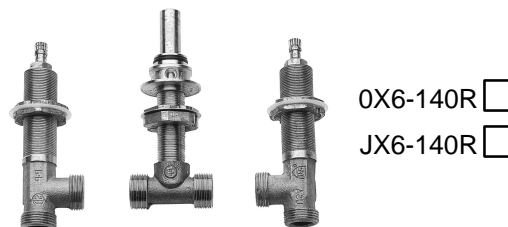
Code Compliance

Price Pfister products are designed and manufactured in compliance with the following standards and codes:

- IAPMO certified
- ASME A112.18.1
- CSA B125 certified
- ANSI A117.1 (Lever handles only)

	0X6-140R	JX6-140R
Finishes		
Unfinished	X	X

	0X6-140R	JX6-140R
Features		
Dual ½" I.P. or ½" Copper Sweat Connections	X	X
Job Pack Quantities		X
Pforever Warranty®	X	X



For additional information, please contact your Price Pfister representative, or visit our website at www.pricepfister.com.

Project: _____

Contractor: _____

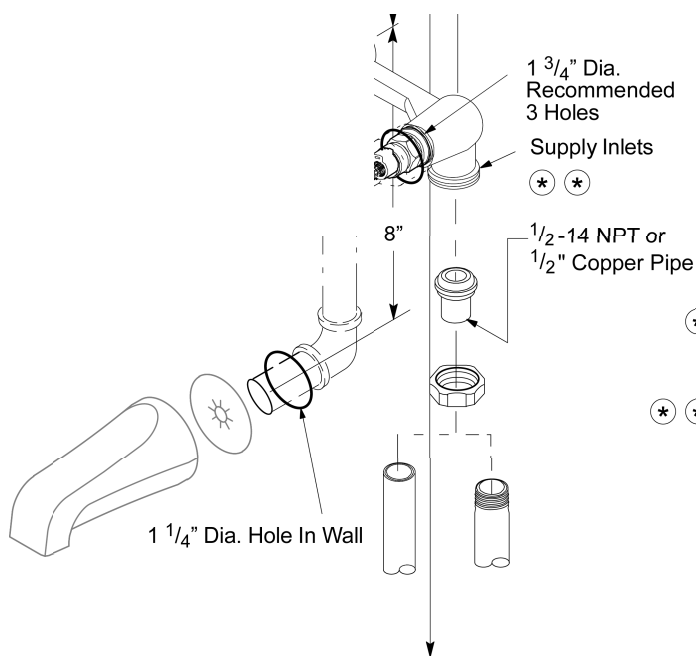
SS-0X6-02

1-800-PFAUCET www.pricepfister.com
 19701 DaVinci, Lake Forest, CA 92610
 01/8/03

Price Pfister®
 Pfreshest Ideas in Pfaucets.

01 Series

Tub & Shower



* Stem Protectors
Do not remove until ready for handle trim.

* * Caution
When inlet supplies are "solid sweat," valve stems must be fully removed during soldering operation.