



Compact Fluorescent

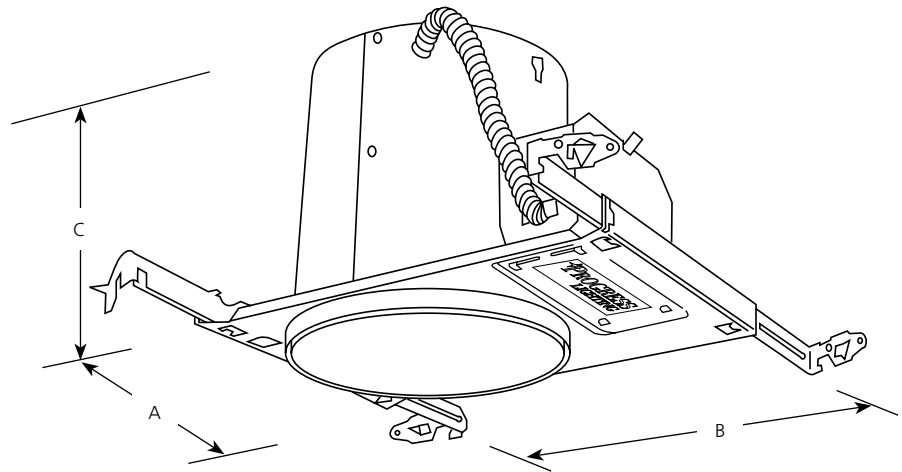
# 6" Single Vertical Lamp Housing IC & Air Tight

Recessed

Type \_\_\_\_\_

P83-AT

Catalog No.	Lamping	Dimensions (Inches)		
		A	B	C
P83-AT	(1) 13w Quad, Triple (GE)	7-7/8	10-3/4	7-1/2
		Ceiling Opening 6-7/8		



### Specifications:

#### Wiring

- Universal junction box with snap-out sides
- Removable housing for field inspection of wiring
- Grounding pigtail
- Knockout free Romex clamps
- 1/2" & 3/4" Knock outs for rigid or BX fittings
- Electronic HPF 120/277V ballast

#### Construction

- Notched housing for chalkline alignment
- Overspray protection
- Full wrap-around plaster frame
- Removable K.O. for remodel use (P8607-01 plaster frame clips also required)
- Galvanized steel construction
- Toolless adjustment for 1/2" to 2-1/2" thick ceilings

#### Bar Hangers

- Integral nailers for wood joist construction
- Integral T-bar mounting clamps
- Span 24" T-bar spacing
- Lock to secure housing
- Captive
- 90-degree mounting for tight spaces

#### Labeling

- Complies with Washing State Energy Code (WSEC) requirement for air tight
- UL-CUL listed for damp location and feed-through wiring
- IC rated
- Approved for use in New York City per calendar #42270

#### Lamp/Trim

- Trim-Lok® action forces trim to fit snugly against the ceiling
- Single-lamp vertical 13w (4-pin) G24q-1 compact fluorescent

Progress Lighting  
701 Millennium Blvd.  
Greenville, South Carolina  
29607

www.progresslighting.com

Rev. 5/08



Compact Fluorescent

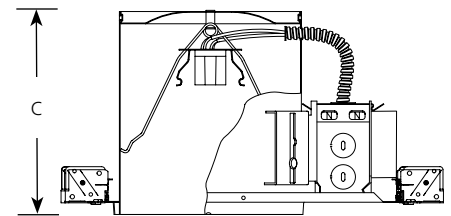
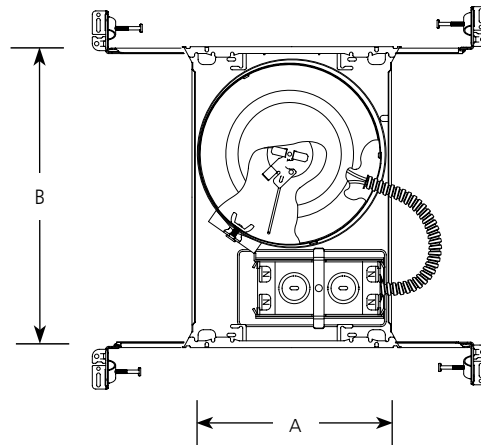
# 6" Single Vertical Lamp Housing IC/Air-Tight/Energy Star

Recessed

Type \_\_\_\_\_

P83-ICAT

Catalog No.	Lamping	Dimensions (Inches)		
		A	B	C
P83-ICAT	(1) 13w Quad or Triple CF (4-pin)	7-7/8	10-3/4	7-1/2 Ceiling Opening 6-7/8



## Specifications:

### Wiring

- Universal junction box with snap-out sides
- Removable housing for field inspection of wiring
- Grounding pigtail
- Knockout free Romex clamps
- 1/2" & 3/4" Knock outs for rigid or BX fittings
- Electronic NPF 120-volt ballast with end of life protection (located inside junction box)

### Construction

- Notched housing for chalkline alignment
- Overspray protection
- Full wrap-around plaster frame
- Removable K.O. for remodel use (P8607-01 plaster frame clips also required)
- Galvanized steel construction
- Toolless adjustment for 1/2" to 2-1/2" thick ceilings

### Bar Hangers

- Integral 1/2 ga. fluted nail for wood joist construction
- Integral snap-on T-bar mounting clip

- Rigid male/female design spans 24" for suspended ceilings
- Lock to secure housing
- Captive with extension stop tab
- 90-degree mounting for tight spaces
- Joint alignment tab

### Labeling

- UL-CUL listed for damp locations
- Not rated for through branch wiring, but can be daisy chained
- Complies with Washington State Energy Code (WSEC) requirement for Air tight
- Complies with California Title 24 Legislation
- Complies with Energy Star
- IC rated

### Lamp/Trim

- Trim-Lok® action forces trim to fit snugly against the ceiling
- Socket mounts to trim for optimum performance, and provides consistent vertical lamp position
- Single-lamp vertical 13w (4-pin) G24q-1 or GX24q-1 compact fluorescent



Progress Lighting  
701 Millennium Blvd.  
Greenville, South Carolina  
29607

www.progresslighting.com

Rev. 5/08



Compact Fluorescent

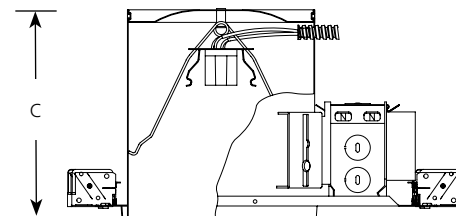
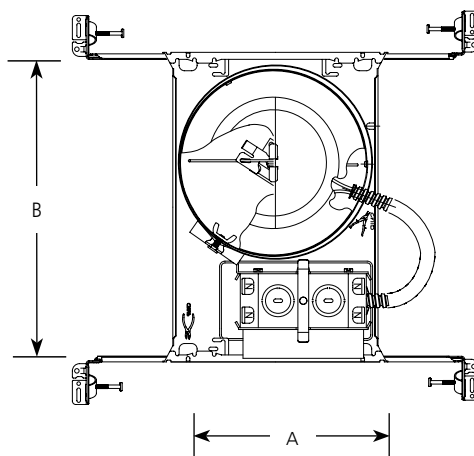
# 6" Single Vertical Lamp Housing IC/Air-Tight/Energy Star

Recessed

Type \_\_\_\_\_

P83-26ICAT

Catalog No.	Lamping	Dimensions (Inches)		
		A	B	C
P83-26ICAT	(1) 26w Triple CF (4-pin)	7-7/8	10-3/4	7-1/2 Ceiling Opening 6-7/8



### Specifications:

#### Wiring

- Universal junction box with snap-out sides
- Removable housing for field inspection of wiring
- Grounding pigtail
- Knockout free Romex clamps
- 1/2" & 3/4" Knock outs for rigid or BX fittings
- Electronic NPF 120-volt ballast with end of life protection

#### Construction

- Notched housing for chalkline alignment
- Overspray protection
- Full wrap-around plaster frame
- Removable K.O. for remodel use (P8607-01 plaster frame clips also required)
- Galvanized steel construction
- Toolless adjustment for 1/2" to 2-1/2" thick ceilings

#### Bar Hangers

- Integral II ga. fluted nail for wood joist construction
- Integral snap-on T-bar mounting clip

- Rigid male/female design spans 24" for suspended ceilings
- Lock to secure housing
- Captive with extension stop tab
- 90-degree mounting for tight spaces
- Joint alignment tab

#### Labeling

- UL-CUL listed for damp locations
- Not rated for through branch wiring, but can be daisy chained
- Complies with Washington State Energy Code (WSEC) requirement for Air tight
- Complies with California Title 24 Legislation
- Complies with Energy Star
- IC rated

#### Lamp/Trim

- Trim-Lok® action forces trim to fit snugly against the ceiling
- Socket mounts to trim for optimum performance, and provides consistent vertical lamp position
- Single-lamp vertical 26w (4-pin) G24q-3 or GX24q-3 compact fluorescent



Progress Lighting  
701 Millennium Blvd.  
Greenville, South Carolina  
29607

www.progresslighting.com

Rev. 5/08



Compact Fluorescent

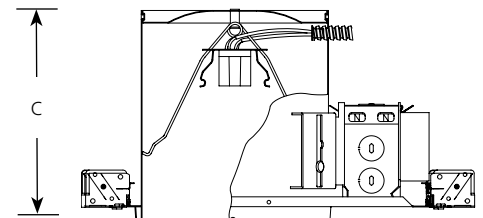
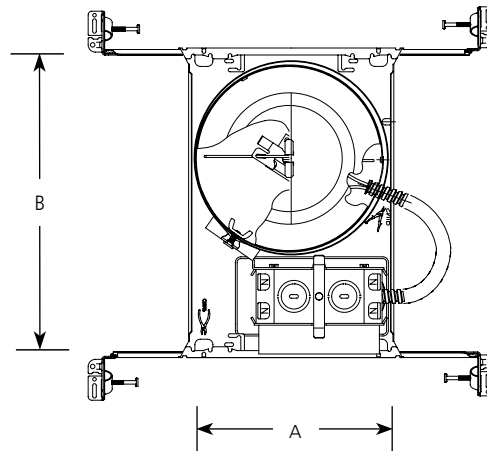
# 6" Single Vertical Lamp Housing IC/Air-Tight/Energy Star Dimming

Recessed

Type \_\_\_\_\_

P83-26ICATDM

Catalog No.	Lamping	Dimensions (Inches)		
		A	B	C
P83-26ICATDM	(1) 26w Triple CF (4-pin)	7-7/8	10-3/4	7-1/2 Ceiling Opening 6-7/8



## Specifications:

### Wiring

- Universal junction box with snap-out sides
- Removable housing for field inspection of wiring
- Grounding pigtail
- Knockout free Romex clamps
- 1/2" & 3/4" Knock outs for rigid or BX fittings
- Electronic NPF(.80), 120-volt ballast with end of life protection. 150% THD.
- Dimming ballast down to 15% lamp output
- Ballast is compatible with most electromechanical incandescent dimming switches

### Construction

- Notched housing for chalkline alignment
- Overspray protection
- Full wrap-around plaster frame
- Removable K.O. for remodel use (P8607-01 plaster frame clips also required)
- Galvanized steel construction
- Toolless adjustment for 1/2" to 2-1/2" thick ceilings

### Bar Hangers

- Integral II ga. fluted nail for wood joist construction

- Integral snap-on T-bar mounting clip
- Rigid male/female design spans 24" for suspended ceilings
- Lock to secure housing
- Captive with extension stop tab
- 90-degree mounting for tight spaces
- Joint alignment tab

### Labeling

- UL-CUL listed for damp locations
- Not rated for through branch wiring, but can be daisy chained
- Complies with Washington State Energy Code (WSEC) requirement for Air tight
- Complies with California Title 24 Legislation
- Complies with Energy Star
- IC rated

### Lamp/Trim

- Trim-Lok® action forces trim to fit snugly against the ceiling
- Socket mounts to trim for optimum performance, and provides consistent vertical lamp position
- Single-lamp vertical 26w (4-pin) G24q-3 or GX24q-3 compact fluorescent



Progress Lighting  
701 Millennium Blvd.  
Greenville, South Carolina  
29607

www.progresslighting.com



---

## Approved Dimming Control Devices for Use with P83-26ICATDM

---

Progress Lighting's P83-26ICATDM is designed for compatibility with most electromechanical incandescent dimmer switches. Following is a list of switches approved by the ballast manufacturer:

<b>Manufacturer</b>	<b>Series</b>	<b>Comments</b>
Hunt Dimming	PS, SC, FD, SSD Simplicity	All Mark X dimmers
Leviton	IllumaTech Preset Slide, IllumaTech Rotary, SureSlide	
Pass & Seymour	Scene Director, Leandro	Mark X version only
Progress Lighting	P8538-30, P8540-30	