

LED

4" Open Trim

Recessed

For Standard 4" Recessed Housing

Everlume™

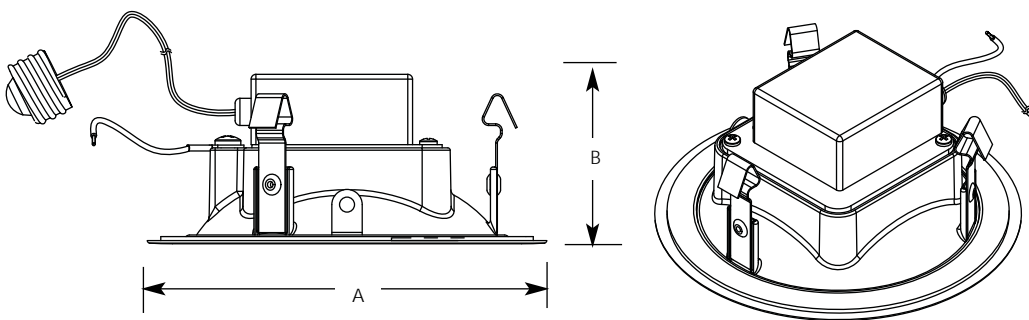
Type _____

-30 -30/35K

P8029

Catalog No.	Finish	LED	Dimensions (Inches)	
	White	Color Temp	A	B
P8029	-30	2700K	5	2-1/8
P8029	-30/35K	3500K	5	2-1/8

Lamp Wattage Housing	IC	Non-IC
P831-AT	<5w	<5w
P830-TG	NA	<5w
P832-TG	NA	<5w



Specifications:

Trim Assembly

- White powder coat painted finish
- Removable trim ring can be painted to match the ceiling
- Frosted acrylic lens provides a 120 degree beam spread
- Spring action forces trim to fit snugly against ceiling
- No light leaks around trim flange
- A screw-in medium base is prewired into the trim assembly for attachment to a standard medium based socket
- Die cast construction with metal stamped trim ring
- Also useable on standard 4" housings made by Capri, Commercial Electric, Halo, Intense, Juno, and Nora. See Everlume trim compatibility guide for a complete list of classified housings

Labels

- cULus listed for dry locations

Lamping

- LED (Light Emitting Diode) Lamp included
- Consumes less than 5 watts
- Lumen output comparable to a 5w CFL or 25w incandescent lamp
- CRI is 76
- 30,000+ hrs life
- Lamp contains no mercury, meets Calif. Title 22

Electrical





- Built in transformer
- Edison base on trim attaches to housing socket
- Dimmable using most 3-wire low voltage switches. See Everlume™ trim compatibility guide for a list of recommended dimmer switches
- 120v input

EVERLUME™
LED LIGHTING

Progress Lighting
701 Millennium Blvd.
Greenville, South Carolina
29607

www.progresslighting.com

Everlume™ Trim Compatibility Guide

Everlume™ Retro-Fit Trims are UL Classified for Use with the Following Recessed Housings:					
		P4031-30 P4031-40/50K	P4031-30 P4031-40/50K	P4021-30 P4021-40/50K	P4027-30 P4027-40/50K
Manufacturer	Part Number				
Capri	CR1	X	X		
	CRB1	X	X		
	RR4			X	X
	TR44			X	X
	DWR42			X	X
Commercial Elite®	C71CA(H)	X	X		
	HE200BH(H)			X	X
	HE200RH(H)			X	X
Evo	EL7RCA	X	X		
	EL7CA	X	X		
	EL7KAT	X			
	EL8RCA			X	X
	EL8R			X	X
Emerald	F40CTN	X	X		
	H7ICAT	X	X		
Halo	H7RCA7	X	X		
	HRCT			X	X
	H8RT			X	X
Intense	I8RCA	X	X		
	I8RCAIC	X	X		
	I8RCAIC			X	X
Journey	C71C8H2	X	X		
	IC22	X	X		
Juno	IC1			X	X
	TC1B			X	X
	TC1B			X	X
Lithonia	LX7			X	X
LumaPro	STR5	X	X		
Luminaire	LUC1A0	X	X		
	NRIC-TRCAT	X	X		
Nora	NRIC-TRCAT	X	X		
	NRIC-40 IAT			X	X
	NRIC-40 CAT			X	X
	NR-40 IC			X	X
	NR-40 IC			X	X
	NR-40 CAT			X	X
Progress	P47-TC	X	X		
	P47-AT	X	X		
	P48 IAT			X	X
	P48-TC			X	X
	P49-TC			X	X
Sea Gull	1128	X	X		
	R8R1CA	X	X		
WAC	R8R1CA	X	X		
	R8R1CA	X	X		

Everlume™ Compatible Dimmer Controls

- Everlume™ LED products are compatible with most 3-wire low-voltage dimmer switches.
- The following low-voltage dimmers are recommended for use with Everlume™ LED products.
 - Lutron Dim - DVE-LV800P
 - Lutron Maestro - MAELV-800
 - SmartScene - Insta-R Switch v2.2478D