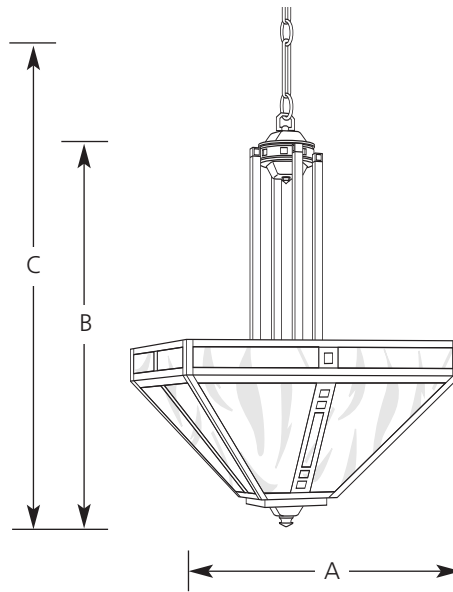


Type \_\_\_\_\_  
 -46  
 P3620

Catalog No.	Finish Weathered Bronze	Lamping	Dimensions (Inches)		
			A	B	C
P3620	-46	4 (m) 100w	22	35	108



**Specifications:**

General

- Hand painted finish with gold highlights
- Die cast canopy
- Light Honey Art glass
- Removable etched glass top cover
- Detailed cast components
- Unique Mission styling
- 6 feet of 9 gauge elongated chain pattern
- Companion fixtures: chandelier, close-to-ceiling, wall bracket, pendant, bath & vanity - Fluorescent & Incandescent, accessories

Mounting

- Canopy 5-1/2" sq.
- Chain-hung ceiling mount
- Covers outlet box
- Mounting strap for outlet box included

Electrical

- 15 feet of wire
- Ceramic medium base sockets
- Pre-wired

Labeling

- UL-CUL listed