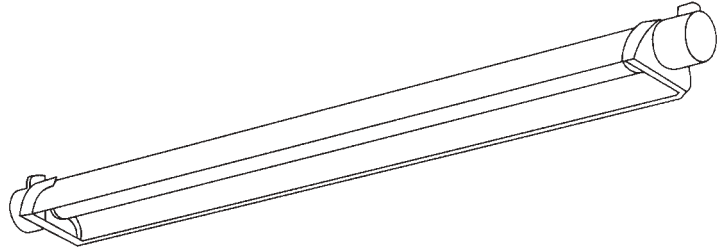


CATALOG NO. _____

TYPE NO. _____

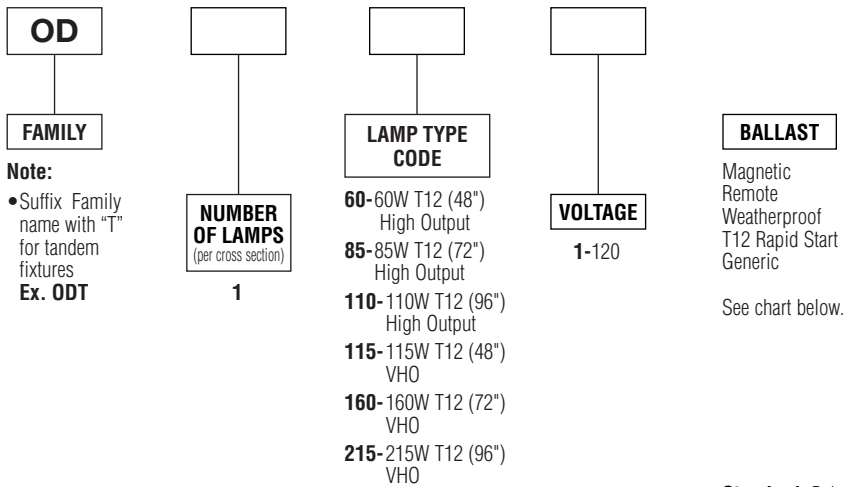
JOB NAME _____

Outdoor Sign Lyte (OD)



ORDERING INFORMATION

Catalog Number: Example: OD11101



Note:
• Suffix Family name with "T" for tandem fixtures
Ex. ODT

PRODUCT FEATURES

- Extruded aluminum housing and die-cast aluminum ends insure strength and maximum resistance to the elements.
- Weatherproof seal around the base of the lamp.
- Smooth clear acrylic lens slides in place for ease of lamp maintenance.
- Unit supplied with remote weatherproof cold weather ballast.

Order ballasts separately as follows:

BALLAST #	USE WITH		
OD1LTHO	1/60W	1/85W	1/110W
OD2LTHO	2/85W	2/110W	
OD1LTPG	1/115W	1/160W	1/215W
OD2LTPG	2/160W	2/215W	

Standard- Below horizontal aiming

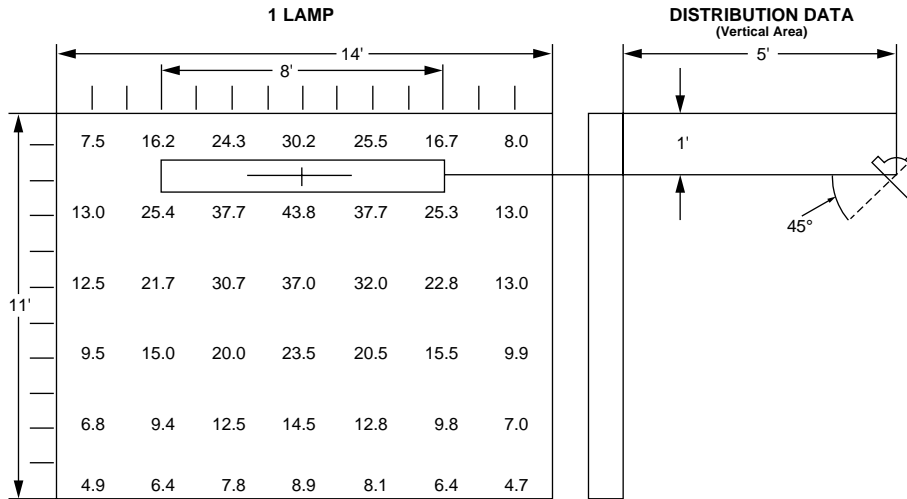
UP- Above horizontal aiming (consult factory)

PRODUCT AVAILABILITY

FAMILY	NOMINAL SIZE	NUMBER OF LAMPS (per cross section)	NUMBER OF LAMPS (per fixture)	LAMP TYPE CODE	LENGTH*	WIDTH	HEIGHT
OD	4'	1	1	60	50 1/2"	5 3/4"	3 1/2"
		1	1	115			
OD	6'	1	1	85	74 1/2"	5 3/4"	3 1/2"
		1	1	160			
OD	8'	1	1	110	98 1/2"	5 3/4"	3 1/2"
		1	1	215			
ODT	12'	1	2	85	149"	5 3/4"	3 1/2"
		1	2	160			
ODT	16'	1	2	110	197"	5 3/4"	3 1/2"
		1	2	215			

*Lengths are conduit mounting center to center.

One-Lamp Photometric Data



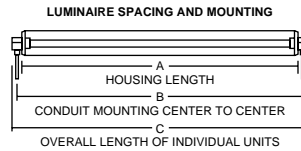
Footcandle readings on an 11' x 14' flat surface using one 8 ft. unit equipped with an F96T12/CW/HO lamp. Unit angle is 45° to the illuminated surface and ambient temperature of 75° fahr. If VHO, SHO, Power-groove or the new T10J are used, lighting values will increase accordingly.

SPECIFICATIONS

Housing is constructed of heavy gauge extruded aluminum. Reflecting surfaces are finished in white enamel providing a minimum reflectance factor of 85%. Ends and junction boxes are die cast aluminum. Sockets are booted weatherproof type. All units are supplied with weatherproof ballasts for remote mounting. All fixtures are UL-listed and bear UL labels.

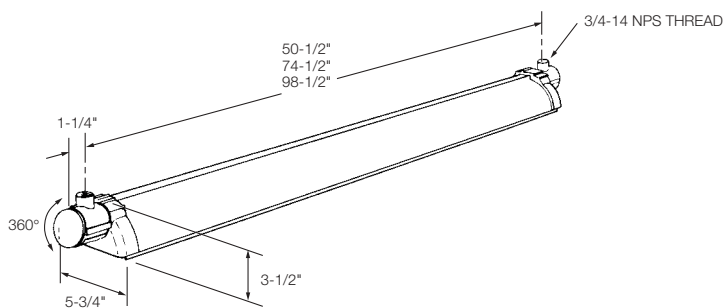
Dimensional Data: Luminaire Spacing and Mounting

SIZE	A	B	C
4 ft.	48-1/4"	50-1/2"	53"
6 ft.	72-1/4"	74-1/2"	77"
8 ft.	96-1/4"	98-1/2"	101"



For overall lengths on continuous rows, add 2-1/2" to total lengths of all mounting centers. i.e., 4-8 ft. units in one row would be 98-1/2" + 98-1/2" + 98-1/2" + 98-1/2" + 2-1/2" = 396-1/2"

DIMENSIONS



Dimensions and specifications subject to change without notice.