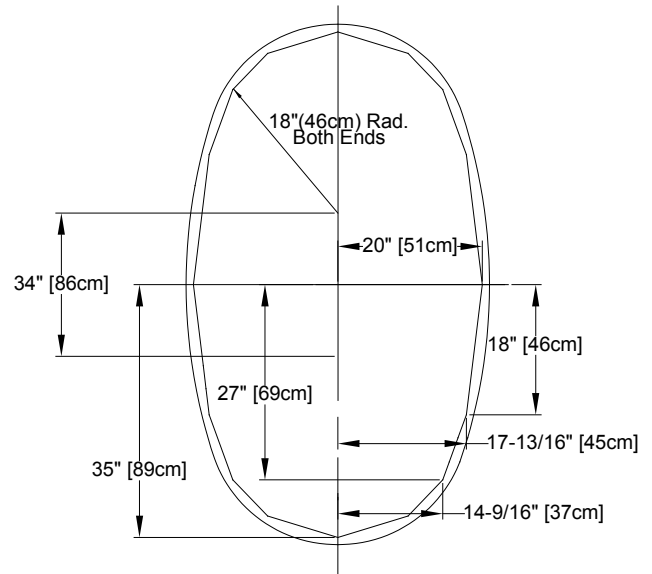
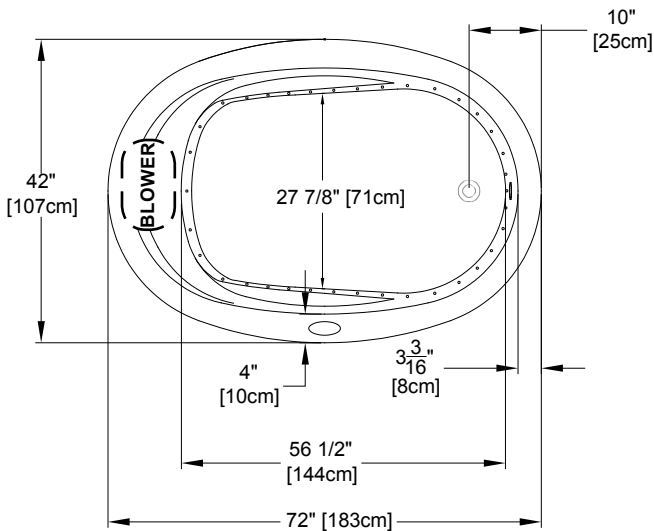


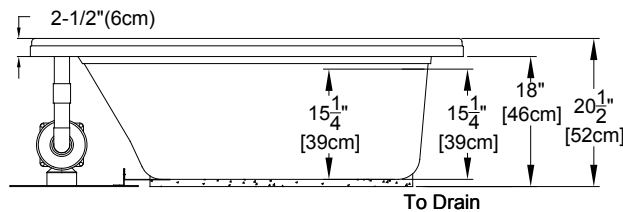
## Integrity™ Collection Specifications

### AirMasseur<sup>®</sup> - N4272



Drop In Hole Size

Note: The pump extends approx. 1" past the end radius of the bath. This requires angling the bath into the drop in hole.  
 Dimensional Tolerances: ±1/4"



Patents recieved or pending.

Note: Dimensional Tolerances: ±1/4"

<b>Drop-in-Hole Size:</b>	See Diagram
<b>Operating Capacity:</b>	52 Gal.
<b>Overflow Capacity:</b>	80 Gal.
<b>Floor Loading / sq.ft.:</b>	46.2 lbs.
<b>Carton Weight:</b>	122 lbs.
<b>Cube:</b>	43.2 ft. <sup>3</sup>

Air Switch Control

Includes a quiet, 120v, 1HP, variable speed air blower with an integral air heater, 20-minute timer and automatic purge cycle. Air switch operates the On/Off and blower speed functions. Requires (1) 15A, 120v GFCI protected circuit.

**Construction:** Reinforced Acrylic shell mounted on Level Form™ pre-leveled full support base.

*We provide products listed with Intertek ETL SEMKO (Edison Testing Laboratories) U.S. and Canadian and with International Association of Plumbing and Mechanical Officials (IAPMO). Consult factory with your listing requirements.*