

Specialty Products

MTLS-110JP Jentle Ped® Foot Spa

CONSTRUCTION AND STANDARD FEATURES

- Durable cross-linked cast acrylic shell is extremely scratch- and stain-resistant yet renewable because the color goes all the way through the material.
- Non-porous surface makes cleaning and sanitizing faster and more effective.
- Reinforcement consisting of multi-layered backing of thick fiberglass / resin / titanium.
- 4 multi-directional point-massage jets.
- 1.0 bhp pump and 1 suction fitting.
- On / off control and silent air volume control.
- 2" drain.
- Ergonomic design includes sloped floor, concave calf recesses and integrated raised stretch bar in the sink floor for foot exercises.
- UL Listed, C-UL Listed or CSA Certified C/US; NAHB Certified.
- Meets or exceeds ASTM D2565 and ANSI Z 124.6 1997.
- Limited Residential Warranty: 1 year.



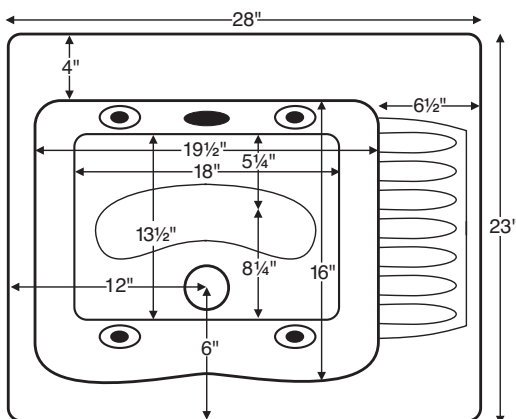
U.S. Pat #468,816

NOTE: If unit is ordered without factory-supplied valves, MTI recommends a single-lever lavatory faucet

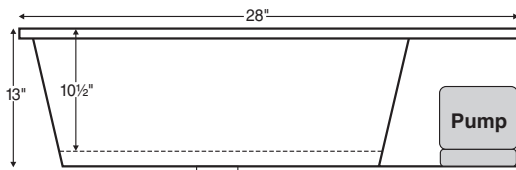
ELECTRICAL SPECIFICATIONS

Required Electrical Service 1-15 amp, 110 Volt GFCI Outlet

28" x 23" x 13" / 10.5" deep



Side view of bottom of spa.



MTLS-110JP Jentle Ped

(MTLS110JP)

COLORS

- White
- Bone, Biscuit, Almond
- Other colors Group 1 (See p J-1)
- Other colors Group 2 (See p J-1)

\$966
\$977
\$996
\$1,066

MTLS-110JP Jentle Ped w/ Cleaning System

(MTLS110JPCL)

Includes Fill-Flush® cleaning system with chrome Breda backflow preventer valve. Unit will fill through the jets. Requires mixing valve (not supplied by MTI).

COLORS

- White
- Bone, Biscuit, Almond
- Other colors Group 1 (See p J-1)
- Other colors Group 2 (See p J-1)

\$1,512
\$1,524
\$1,568
\$1,642

MTLS-110JP Jentle Ped w/ Cleaning System and Factory-Installed Valves

(MTLS110JPCLV)

Includes Fill-Flush® cleaning system with chrome Breda backflow preventer valve and factory-installed single lever chrome mixing valve. Unit will fill through the jets.

COLORS

- White
- Bone, Biscuit, Almond
- Other colors Group 1 (See p J-1)
- Other colors Group 2 (See p J-1)

\$1,715
\$1,725
\$1,775
\$1,845

OPTIONS

- Upcharge for Breda valve in Brushed Nickel (JPBNB) \$99
- Upcharge for Breda and mixing valves in Brushed Nickel (JPBNMB) \$150
- Cable-driven drain kit White (JPDKW) \$92
- Cable-driven drain kit Bone (JPDKB) \$92
- Cable-driven drain kit Biscuit (JPDKBS) \$92
- Cable-driven drain kit Chrome (JPDKC) \$92
- Cable-driven drain kit Brushed Nickel (JPDKBN) \$110
- Chrome trim for jets and controls (JPTRMC) \$162
- Brushed Nickel trim for jets and controls (JPTRMBN) \$197
- Hand-held spray Chrome (JPHHC) \$100
- Hand-held spray Black (JPHHBL) \$150
- Hand-held spray White (JPHHW) \$160
- Ozonator Sanitation System (OZONE) \$499
- Quick Ship / Priority. Call for availability. (QUISINKSH) \$78

INSTALLATION: Measurements are $\pm 1/2"$ and are subject to change without notice. Data herein supersedes all previous prior to publication date indicated below.