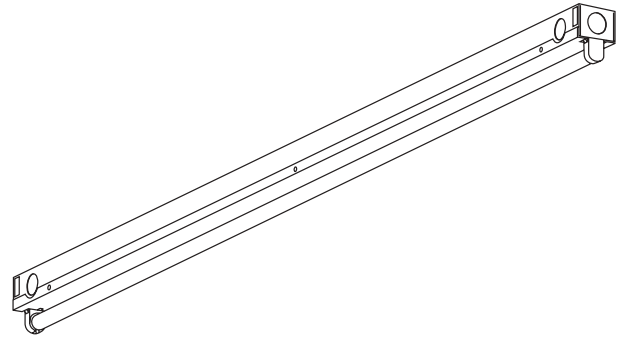


CATALOG NO. \_\_\_\_\_

TYPE NO. \_\_\_\_\_

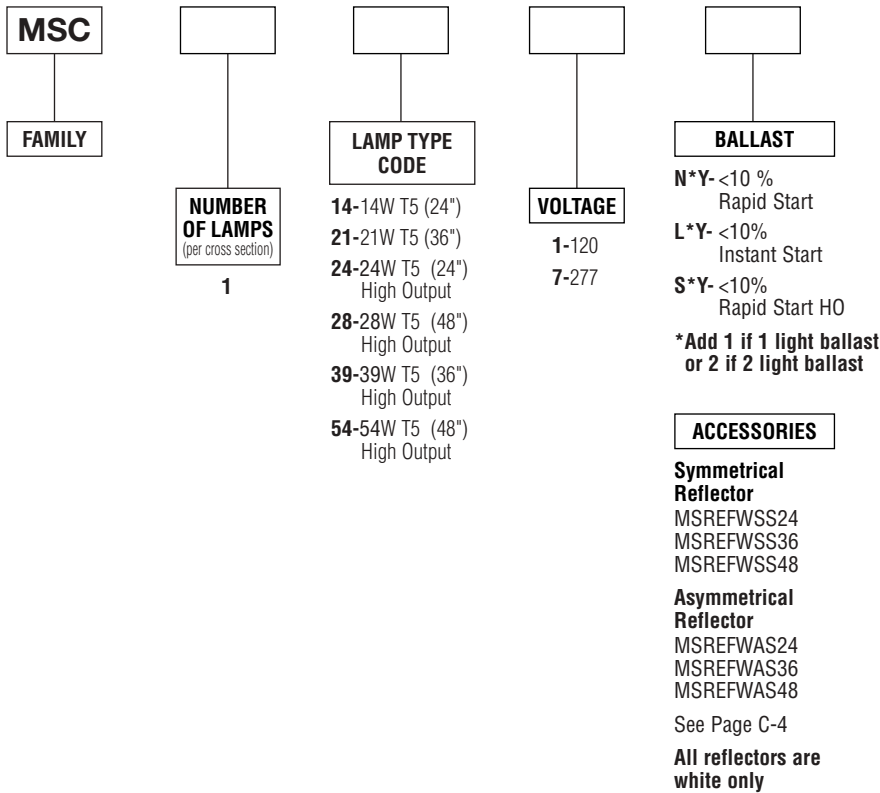
JOB NAME \_\_\_\_\_

# Mini T-5 Narrow Channel (MSC)



## ORDERING INFORMATION

Catalog Number: Example: MSC1147N1Y



## PRODUCT FEATURES

- Knockouts facilitate end to end or side to side runs.
- Snap in connectors for end to end or side to side mounting.
- Symmetric and asymmetric reflectors are available for additional downlight and directional control.
- Highly reflective white paint used on all reflectors and covers.
- Heavy duty 20 gauge cold rolled steel housing.
- UL Damp Location labels are standard with this series.

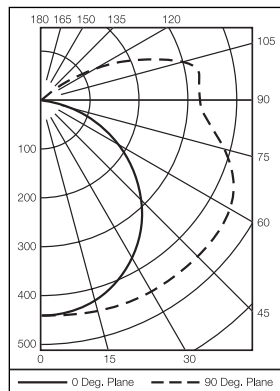
## PRODUCT AVAILABILITY

FAMILY	NOMINAL SIZE	NUMBER OF LAMPS (per cross section)	NUMBER OF LAMPS (per fixture)	LAMP TYPE CODE	LENGTH	WIDTH	HEIGHT
MSC	2'	1	1	14, 24	22 5/8"	1 3/4"	2 1/8"
MSC	3'	1	1	21, 39	34 1/2"	1 3/4"	2 1/8"
MSC	4'	1	1	28, 54	46 1/4"	1 3/4"	2 1/8"

# C-1

# Mini T-5 Narrow Channel (MSC)

## Photometric Data



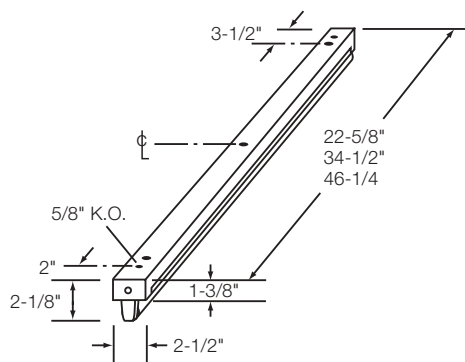
## Coefficients of Utilization

Floor Cavity Reflectance 0.20

Room Cavity Ratio	RC RW	80%			50%			10%		
		50	30	10	50	30	10	50	30	10
1	92	86	82	80	76	73	67	64	62	
2	78	70	64	68	62	57	56	53	49	
3	68	59	52	59	52	47	49	45	41	
4	59	50	43	52	45	39	43	38	34	
5	52	42	35	45	38	32	38	33	28	
6	46	37	30	40	33	27	34	28	24	
7	41	32	26	36	29	24	30	25	21	
8	37	28	22	32	25	20	27	22	18	
9	33	25	19	29	22	17	24	19	15	
10	30	22	17	26	20	15	22	17	13	

## DIMENSIONS

All KOs are 7/8" dia.  
unless otherwise specified.



Dimensions and specifications subject to change without notice.