

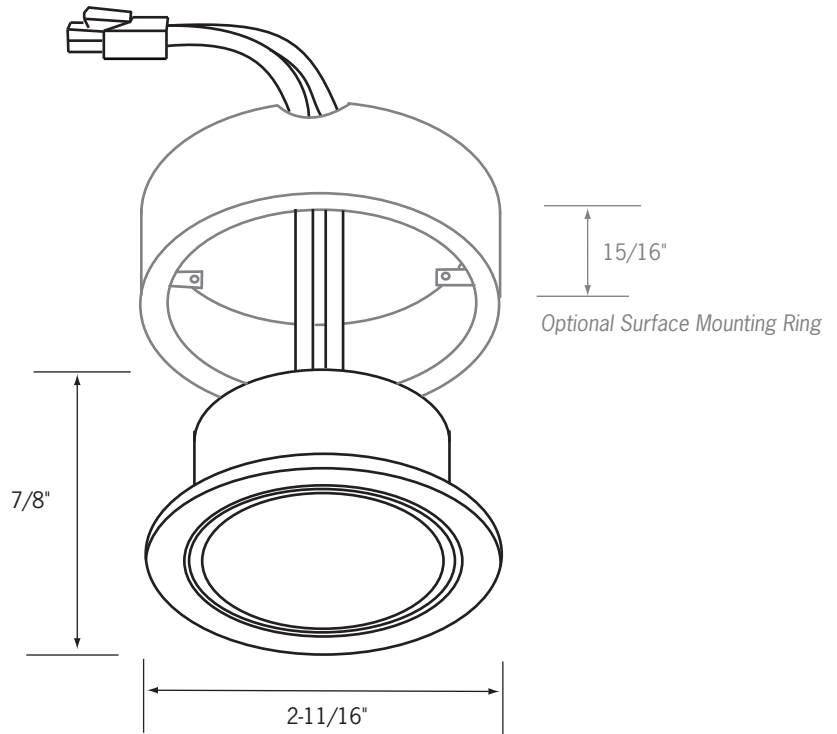
# LV2-6

## Underglo® Mini-Downlight

Catalog No. \_\_\_\_\_

Type \_\_\_\_\_

Project \_\_\_\_\_



Opening: 2-3/16"

### Specifications/Features

#### Fixture

Superior color and efficiency of halogen lighting.  
 Metal housing with smooth finish.  
 Shatter resistant frosted glass lens.  
 Exceptional placement versatility, either recessed or surface-mounted with optional surface mounting ring.  
 6" lead with plug-in amp connector.  
 Fully dimmable with standard incandescent dimming control.  
 For use with remote 120V/12V transformers (electronic or magnetic).

#### Lamp

(1) 20W (max) Bi-Pin JC Halogen lamp (included) or  
 (1) 10W (max) Bi-Pin JC Halogen lamp (max). (Order separately as model 10T3).

#### Warranty

This fixture is covered by Con-Tech's one (1) year full replacement guarantee after date of purchase.

#### Listing

cULus listed. Suitable for dry locations.

### Ordering Information

Example Order:  -

Fixture

LV2-6

Finish

**B** - Black  
**C** - Chrome  
**P** - White

Accessories

**6S-(B, C, P)** - Optional Surface Mounting Ring (**B** - Black, **C** - Chrome, **P** - White)  
**LWX-4** - 4' extension cable with plug-in amp connectors  
**LWX-8** - 8' extension cable with plug-in amp connectors  
**LWX-12** - 12' extension cable with plug-in amp connectors  
**LWXS-4** - 4' extension with transformer side (only) amp connectors  
**LWXS-8** - 8' extension with transformer side (only) amp connectors  
**LWXS-12** - 12' extension with transformer side (only) amp connectors  
**LWXT-4** - 4' extension-LV2 for LRT303  
**LWXT-8** - 8' extension-LV2 for LRT303  
**LWXT-12** - 12' extension-LV2 for LRT303  
**10T3** - 10WT3 JC replacement lamp  
**20T3** - 20WT3 JC replacement lamp

