

ITEM NO.: LS-19002

ASSEMBLY INSTRUCTIONS:

WARNING:

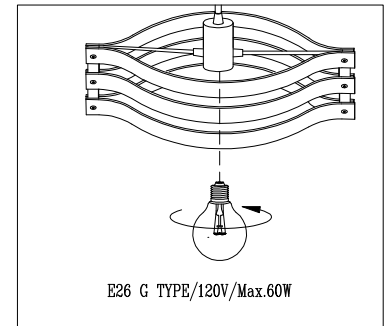
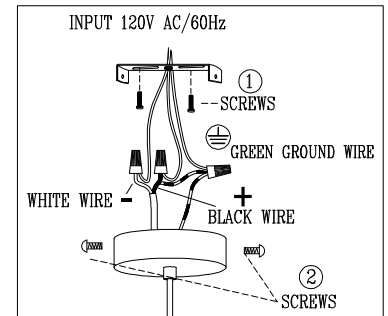
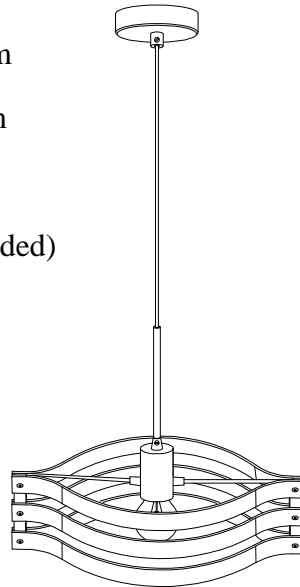
TO PREVENT ELECTRICAL SHOCK, PRIOR TO INSTALLATION TURN OFF POWER SUPPLY AT MAIN BREAKER.

Carefully unpack this lamp and place on a flat surface.

1. Remove screws from side of canopy (2), releasing crossbar (1).
2. Feed wires through crossbar and connect to power lines as follows:
Attach white (Neutral) wires from fixture to Neutral wire from house.
Attach Black (live) wire from fixture to Live wire from house.
Attach Green (Ground) wire from fixture Ground from house.
Attach crossbar to ceiling junction box with screws.
Attach canopy to crossbar using screws.
3. Use 120V 60 Watt (maximum) E26 G type (bulb included)
Install bulb.
4. Reconnect power and enjoy your new lamp.

IMPORTANT SAFETY INSTRUCTIONS: WHILE IN USE, LAMP IS HOT!

**THIS UNIT USE WITH 120V 60 WATT
(MAXIMUM) INCANDESCENT G TYPE
E26 BULB (BULB INCLUDED).**




※ PLEASE INFORM YOUR DEALER IMMEDIATELY IN CASE OF ANY PARTS SHORTAGE.


※ SAVE THESE INSTRUCTIONS FOR FUTURE REFERENCE.

**LITE SOURCE INC.**
CHINO, CA 91710

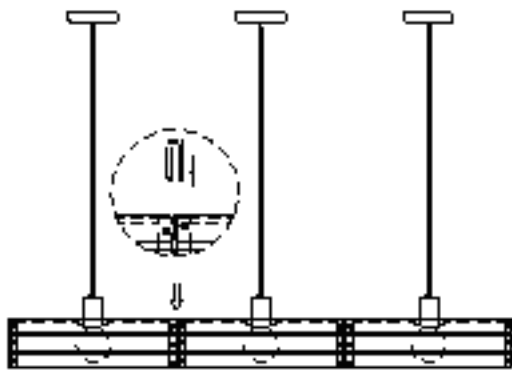
ITEM NO.: LS-18002

ADDITIONAL ASSEMBLY INSTRUCTIONS

1. short hook 

2. long hook 

1. How to use the short hook



2. How to use the long hook

