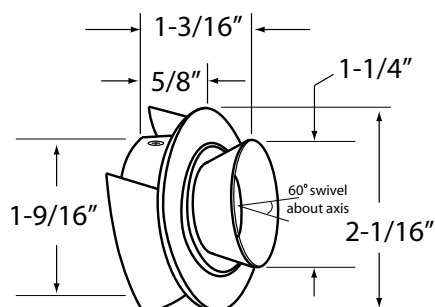
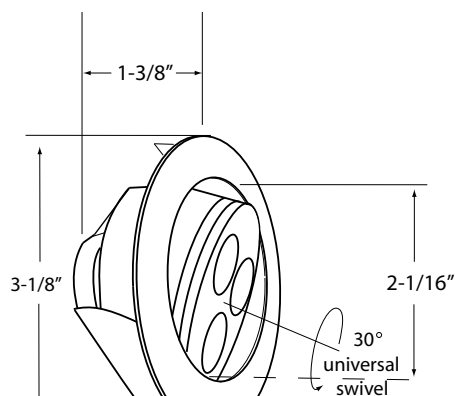


LED Mini Swivel



LED Mini Visor



LED 3-watt Swivel



For added product flexibility, each LMV and LMS Mini Swivel light includes two optical lenses (optics). The one that is installed in the fixture is a spot (25° beam angle). If needed, the spot can be replaced with the 80° optic to create a flood.

TECHNICAL SPECIFICATIONS

Voltage	350mA, 50/60Hz DC operation
Construction	Die-cast aluminum alloy housing and heat sink, stainless steel clips
Dimensions	For LMS: H = 1/8" (recessed profile), Dia = 2-1/16", For LMV: H = 1/2" (recessed profile), Dia = 2-1/16" For LMS-3: H = 3/32" (recessed profile), Dia = 3-1/8"
Lead wires	78" length, 24AWG with 350mA molex connector for series wiring configuration
Switching	Use switched outlet to control On/Off functions
Cut-out	For LMS and LMV: 1-7/8" hole size, for LMS-3: 2-3/4" hole size
Wattages	LMS and LMV = 1.25 watts; LMS-3 = 3.75 watts
Maximum run	18 watts x 2 with LED-DR36-350D (dual output, 18 watts each)
LED specs	50,000 hour rated life, 350mA, high power (1-watt) LED, 3100°K, 85 CRI, 25° beam angle
Dimmers	Dimmable with most standard incandescent dimmers only when powered by LED-DR36-350D
Diffuser	All styles have clear acrylic lens covers installed with a beam angle of 25°. For LMS and LMV styles, an additional optional prismatic lens cover is included that can be replaced to change the beam angle to 80°
Swivel	LMS and LMV swivel about an axis, up to 90° and 30° respectively; LMS-3 has a universal swivel capability up to 30°

350

DC



P/H

