

Series KL

Heavy Duty Industrial Strip With Reflectors

FEATURES & SPECIFICATIONS

INTENDED USE

Heavy duty, specification grade, deep body industrial strip with embossed steel reflectors for interior warehouse, retail, and utility areas requiring concentrated illumination in an industrial quality configuration.

SIZE W x L x H in inches (mm)

2L 10.0W x 5.25H x 48.0L (255 x 135 x 1220)

3L or 4L 12.0W x 6.0H x 48.0L (305 x 150 x 1220)

LAMP

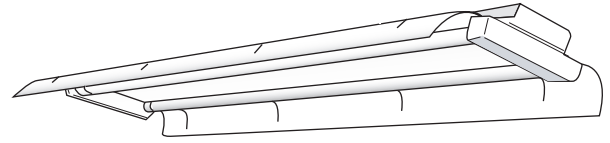
2,3, or 4 lamp position.

MATERIALS & FEATURES

Housing is die-formed and embossed heavy duty 20 gage steel. Finish is high reflectance baked white enamel. Wiring knockouts are provided on back and end of housing. Reflector attaches with wing nuts; no tools required for ballast access. See K Series for similar fixtures with no reflectors.

- W3x, economical white steel reflectors, for abusive locations
Two styles: symmetric and symmetric with uplight
- Extended end caps protect lamp holders
- M20 Mirrored reflectors for high efficiency

ORDERING INFORMATION



MOUNTING

Surface mount, chain hung, double stem. See end of chapter T02Strip for accessory mount kits.

LISTING

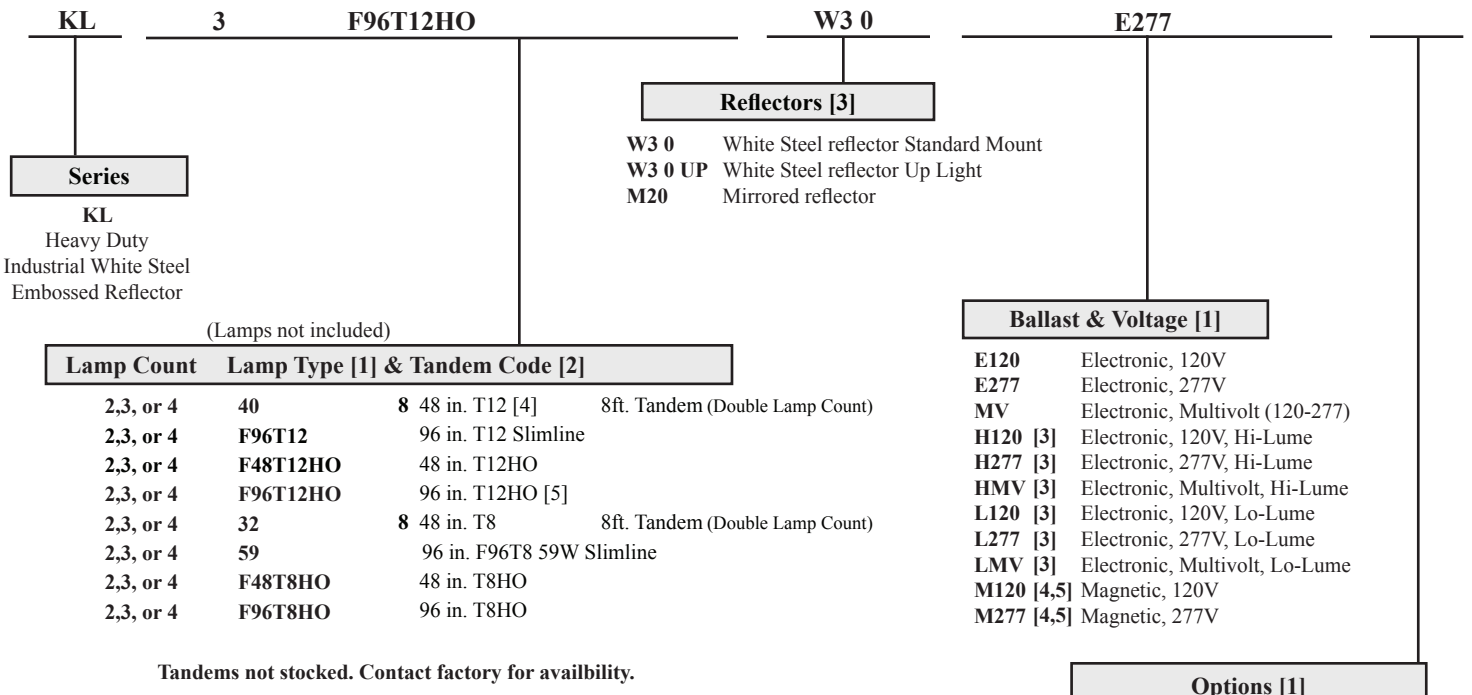
Fixture and Ballast: UL Listed.

Ballast: Thermally protected, class P, HPF, Non PCB; unless specified otherwise.

TYPICAL OPTIONS AND ACCESSORIES

Emergency ballasts, whips, fuses, and wire guards. See options page at the end of the T02Strip section, or contact factory for more

Example: **KL 3 F96T12HO W30 E277**



Notes

[1] See end of T02Strip section for many additional lamps, ballasts, finishes, and options.

[2] Tandem doubles length and lamp count. Same lamps in cross section, additional lamps end to end.

[3] HiLume and LoLume ballasts available for T8 lamps only.

[4] Standard magnetic T12 ballasts for 48in lamp drive a 34W energy saver. Specify electronic to drive 48in T12 34 or 40W lamp.

[5] Standard magnetic ballasts for F96T12HO drive 95W energy saving lamp. Specify electronic to drive 95 or 110W lamp.

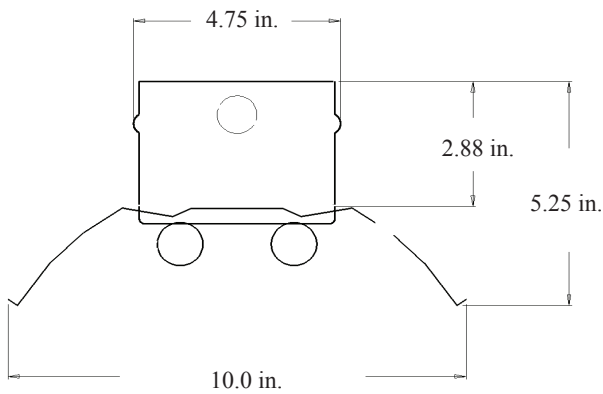
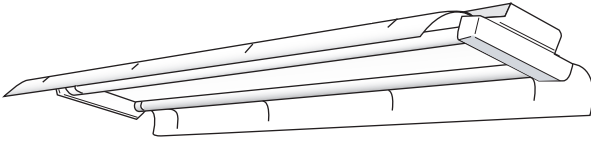
Series KL

Heavy Duty Industrial
Strip With Reflectors

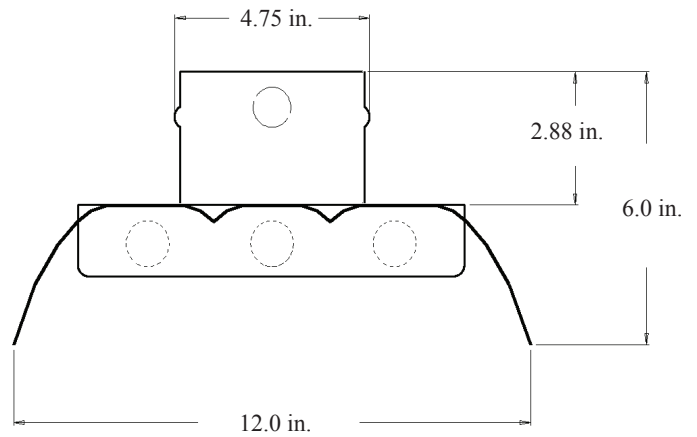


DIMENSIONS

All dimensions are inches. Specifications subject to change without notice.

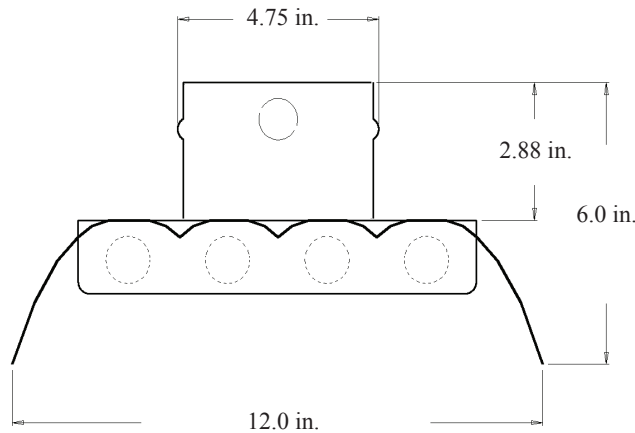


2 Lamp



3 Lamp

*Reflectors available in embossed white steel or mirrored aluminum.



4 Lamp

T02 STRIP

Catalog Number:
Notes: