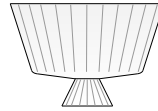


LEUCOS®

INSTALLATION INSTRUCTIONS -LEUCOS USA

KATERINA P 40



A1 Enclosed



One installer



Save instructions

Revised
12 October 07

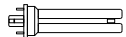
- DISCONNECT POWER BEFORE INSTALLATION.
- FIXTURE TO BE INSTALLED BY A CERTIFIED ELECTRICIAN.
- INSTALL IN ACCORDANCE WITH THE NATIONAL AND LOCAL ELECTRICAL CODES.

- TAKE GREAT CARE TO AVOID SCRATCHING OR CHIPPING THE GLASS WHEN CARRYING OUT THE OPERATIONS BELOW

1. Make sure the power is Off.
2. ILL. 1 Install the structure "A" on the Junction box by the slots provided as shown. We suggest also to use the two top side holes "X" in order to keep the back plate in "A" better contact with wall.
3. ILL.1 Connect the fixture's electrical wires to the supply wire.
Fluorescent version:
4. ILL. 2 - For the Fluorescent light source, remove the reflector "P" from structure "A" and make the wire connections. Then replace the reflector "P".
5. ILL.3 Install the light bulbs and make a working check.
6. ILL. 3 Place the diffuser as shown and secure it to the wall structure by screwing the thumb screw "C" on the threaded pin "E" on structure.
7. ILL. 4 Tighten moderately the two side thumb screws "F" in order to lock the diffuser. ILL. 4.
8. Restore power.

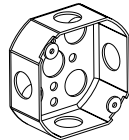


KATERINA P40 - max 2x100W E26 Type A19



KATERINA P40 - max 2x13W PL Type quad tube

FOR U.S.A. MARKET ONLY



CIRCUIT DIAGRAM:

WHITE NEUTRAL

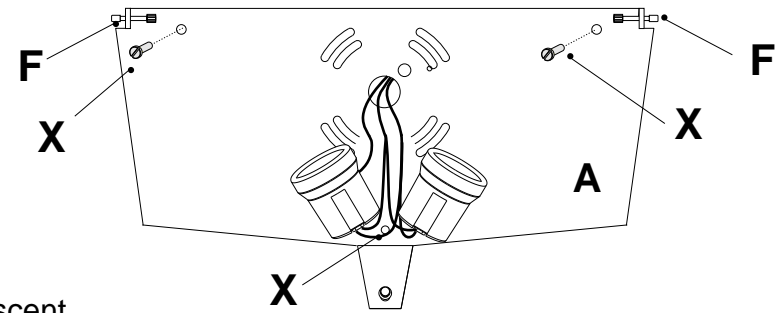
BLACK PHASE

GREEN-YELLOW BARE COPPER WIRE Ground

MOUNTS TO STANDARD JUNCTION BOX

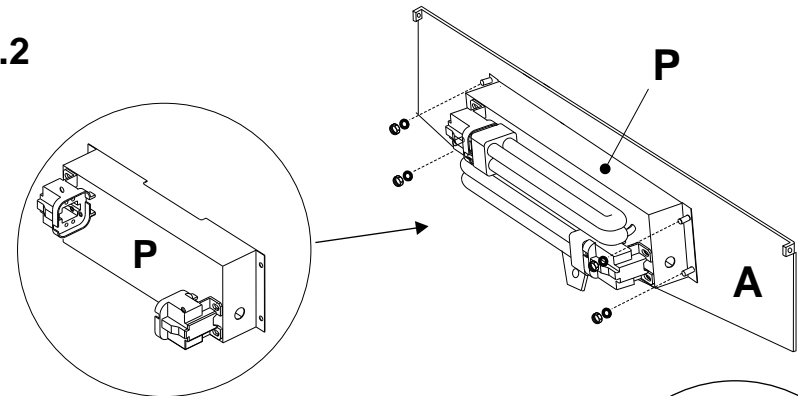
For additional information please contact your local dealer or **LEUCOS U.S.A.** At: Tel. (732) 225-0010 Fax (732) 225-0250

ILL.1



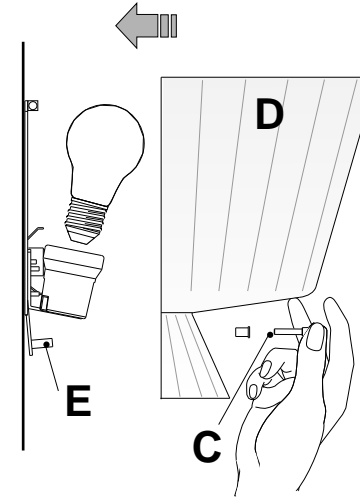
Incandescent

ILL. 2



Fluorescent

ILL. 3



ILL.4

