




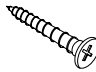
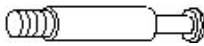
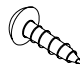
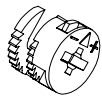
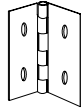
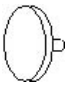
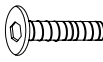

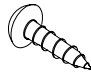
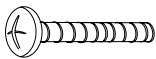
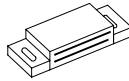
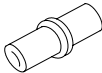
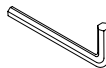
STYLE NO. **KA9463 – DISTRESSED BLACK**
KA9464 – WHITE
KA9465 – DISTRESSED RED

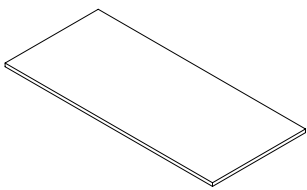
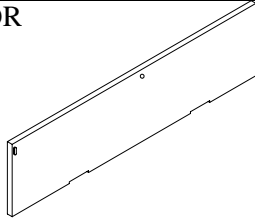
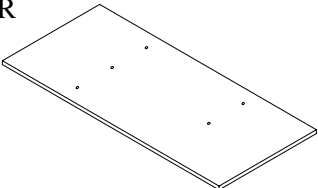
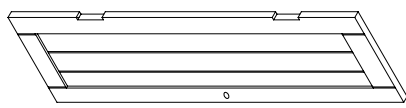
SOUTHERN ENTERPRISES INC.

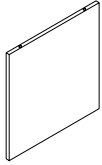
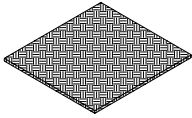
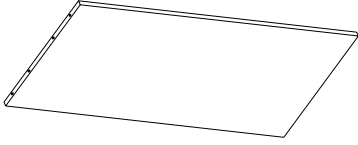
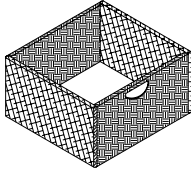
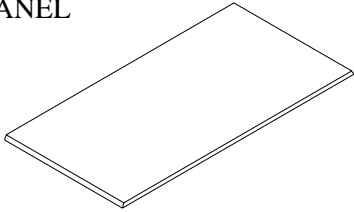

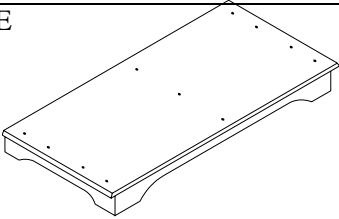

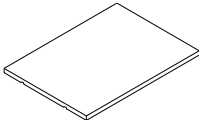
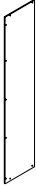
WICKER DRAWERS SIDBOARD

RELAX...If you can follow a few easy, step-by-step directions in order .YOU CAN ASSEMBLE THIS ITEM.

PLEASE FIND HARDWARE IN RED POLYBAG BEFORE DISCARDING PACKING MATERIAL.

HARDWARE LIST			
(1) WOOD DOWEL	20PCS	(8) FLAT HEAD WOOD SCREW	16PCS
		 Ø3X12mm	
(2) CAM-BOLT	14PCS	(9) SHORT PAN HEAD WOOD SCREW	24PCS
		 Ø3X10mm	
(3) CAM-LOCK	14PCS	(10) HINGE	4PCS
			
(4) COVER	14PCS	(11) SHORT MACHINE SCREW	12PCS
		 Ø1/4"X16mm	
(5) WOOD KNOB	2PCS	(12) LONG PAN HEAD WOOD SCREW	4PCS
		 Ø3X12mm	
(6) LONG MACHINE SCREW	2PCS	(13) MAGNET	2PCS
 Ø5/32"X19mm			
(7) SHELF SUPPORT	4PCS	(14) WRENCH	1PC
			

PARTS LIST			
(A) RIGHT SIDE PANEL	1PC	(H) RIGHT DOOR	1PC
			
(B) DIVIDER	1PC	(I) LEFT DOOR	1PC
			

(C) FIXED SHELF 	2PCS	(J) WICKER DRAWER BOTTOM 	3PCS
(D) LEFT SIDE PANEL 	1PC	(K) WICKER DRAWER FRAME 	3PCS
(E) TOP PANEL 	1PC	(L) RIGHT BACK PANEL 	1PC
(F) BASE 	1PC	(M) MIDDLE BACK PANEL 	1PC
(G) ADJUSTABLE SHELF 	1PC	(N) LEFT BACK PANEL 	1PC

ASSEMBLY INSTRUCTION

1. SELECT A SMOOTH, SOFT SURFACE TO PREVENT SCRATCHING FINISH.
2. YOU MAY NEED A PHILLIP SCREWDRIVER.
3. INSERT SHORT MACHINE SCREWS (11) THROUGH THE HOLES ON SIDE OF WICKER DRAWER FRAME (K) AND TIGHTEN INTO CORRESPONDING HOLES ON ENDS OF WICKER DRAWER BOTTOM (J) BY USING WRENCH (14). ASSEMBLE THE OTHER TWO DRAWERS IN SAME MANNER. AS FIGURE 1 SHOWN.

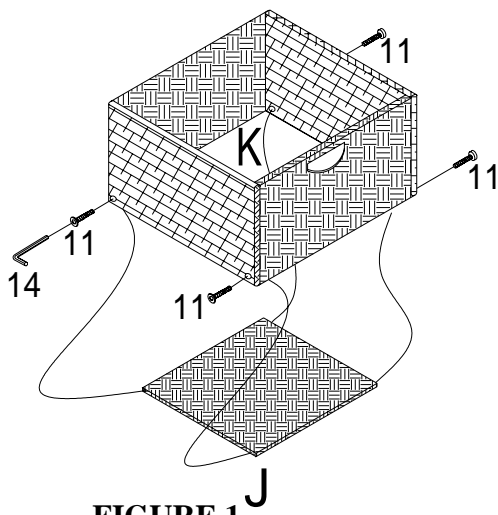


FIGURE 1

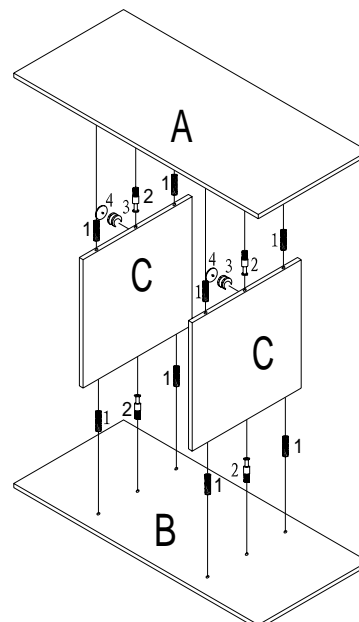


FIGURE 2

4. INSERT WOOD DOWELS (1) AND CAM-BOLTS (2) INTO PREDRILLED HOLES ON INSIDE OF DIVIDER AND RIGHT SIDE PANEL (B, A) AND FIT INTO CORRESPONDING HOLES ON ENDS OF FIXED SHELVES (C). INSERT CAM-LOCKS (3) INTO BIG HOLES ON UNDERSIDE OF FIXED SHELVES (C) WITH SLOT FOR SCREWDRIVER FACING OUTWARD. ROTATE CAM-LOCKS (3) CLOCKWISE TO SECURE CAM-BOLTS (2). PUSH COVERS (4) INTO CAM-LOCKS (3). AS FIGURE 2 SHOWN.
5. INSERT WOOD DOWELS (1) AND CAM-BOLTS (2) INTO PREDRILLED HOLES ON UPSIDE OF BASE (F), WITH AN ASSISTANT, INSERT WOOD DOWELS (1) AND CAM-BOLTS (2) EXTENDING FROM BASE (F) INTO CORRESPONDING HOLES ON BOTTOM EDGES OF PARTS (A, B, D). INSERT CAM-LOCKS (3) INTO BIG HOLES ON INSIDE OF PARTS (A, B, D) WITH SLOT FOR SCREWDRIVER FACING OUTWARD. ROTATE CAM-LOCKS (3) CLOCKWISE TO SECURE CAM-BOLTS (2). PUSH COVERS (4) INTO CAM-LOCKS (3). ASSEMBLE TOP PANEL (E) IN SAME MANNER. AS FIGURE 3 SHOWN.
6. INSERT LONG PAN HEAD WOOD SCREWS (12) THROUGH ENDS OF MAGNETS (13) AND TIGHTEN INTO PREDRILLED HOLES ON UNDERSIDE OF TOP PANEL (E). FIT SHELF SUPPORTS (7) INTO PREDRILLED HOLES ON INSIDE OF LEFT SIDE PANEL AND DIVIDER (D, B), PUT ADJUSTABLE SHELF (G) ON EACH SHELF SUPPORTS (7) MATCHING THE POSITION OF GROOVES ON ADJUSTABLE SHELF (G). AND PLACE THE WICKER DRAWERS INTO THE UNIT. AS FIGURE 4 SHOWN.

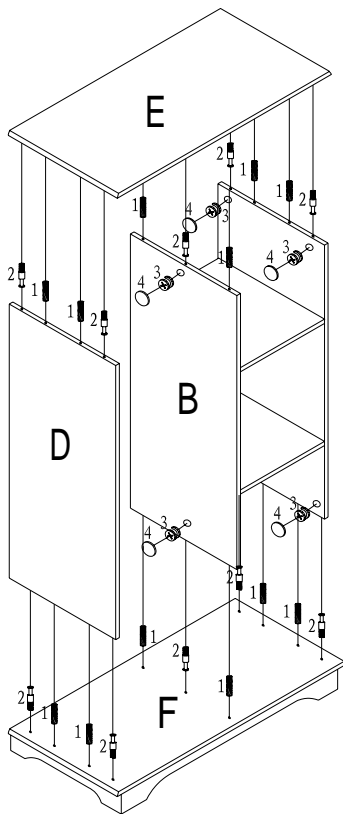


FIGURE 3

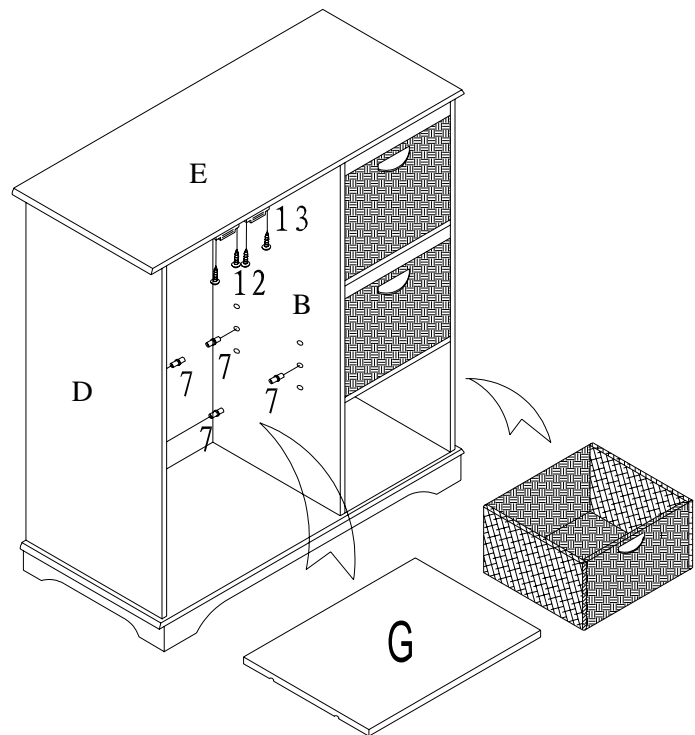


FIGURE 4

7. TIGHTEN LONG MACHINE SCREW (6) THROUGH PREDRILLED HOLES ON BACK OF RIGHT DOOR (H) INTO WOOD KNOB (5). INSERT FLAT HEAD WOOD SCREWS (10) THROUGH THE HOLES OF HINGES (8) AND TIGHTEN INTO CORRESPONDING HOLES ON RIGHT DOOR (H) AND DIVIDER (B). ASSEMBLE LEFT DOOR (I) IN SAME MANNER. AS FIGURE 5 AND INSET SHOWN.
8. ATTACH BACK PANELS (L, M, M) INTO SLOT ON REAR EDGES OF PARTS (A, B, D, E, F). TIGHTEN SHORT PAN HEAD WOOD SCREWS (9) THROUGH PREDRILLED HOLES ON BACK PANELS (L, M, N) INTO PREDRILLED HOLES ON REAR EDGES OF PARTS (A, B, D, E, F). AS FIGURE 6 SHOWN.

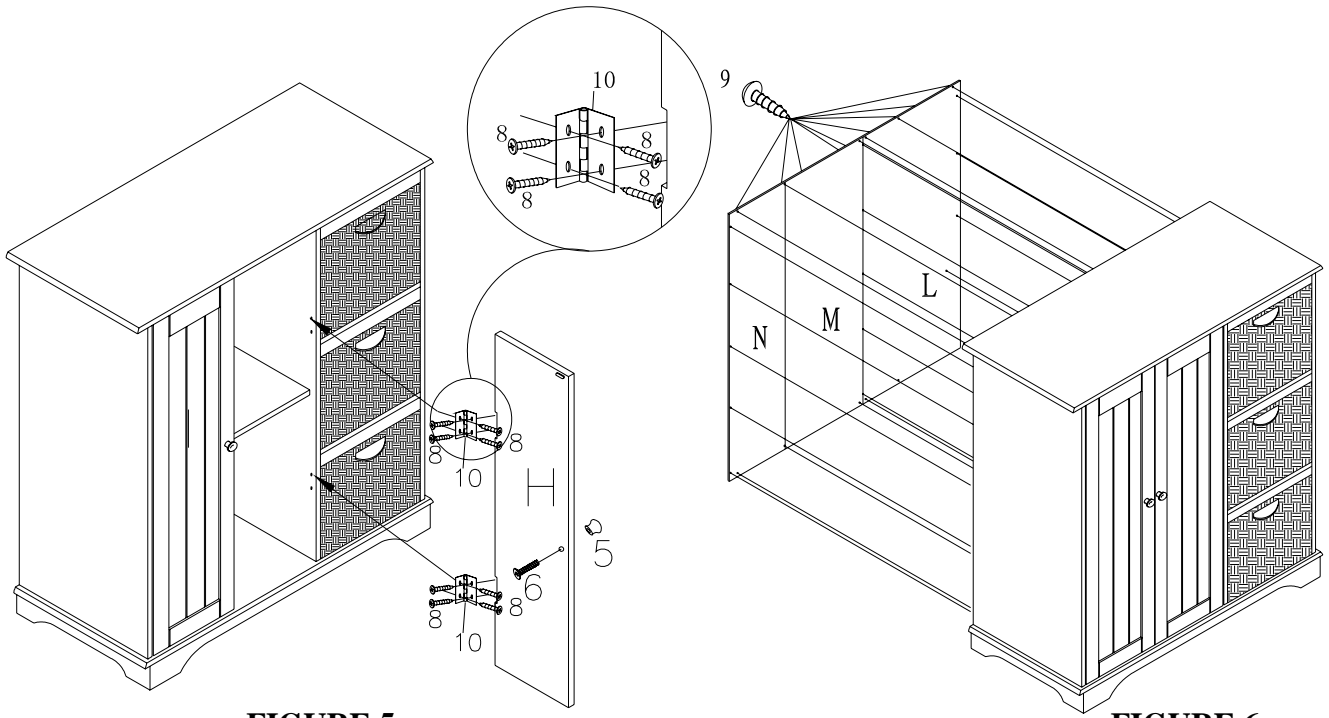
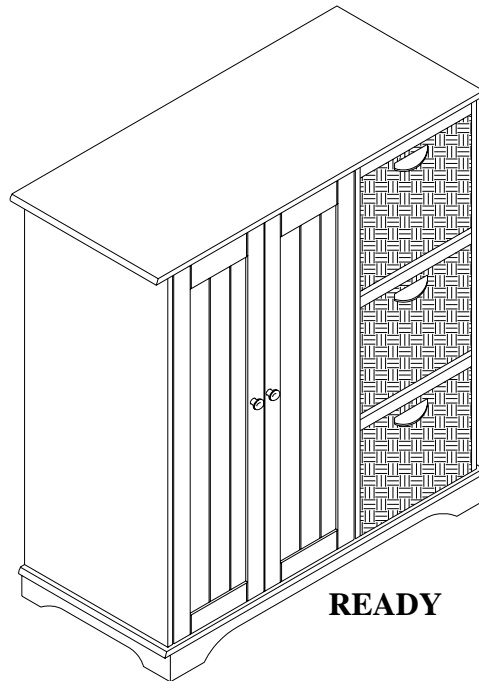


FIGURE 5

FIGURE 6



READY

YOUR NEW WICKER DRAWERS SIDEBOARD IS FINISHED AND READY TO USE.

Please count, identify and compare parts and hardware list to be sure all parts are present. It may help to divide parts and label them to correspond with part list. Extra hardware may be included. If any items are missing, please contact our parts/service department at (800) 633-5096 or in Dallas (972) 869-0111/ 9am – 4pm Mon-Fri Central time. Missing or damaged hardware and/ or parts will be replaced free of charge. WE DO NOT SELL PARTS. WE DO NOT RECOMMEND MODIFYING PRODUCT(S) AND WE ARE NOT RESPONSIBLE FOR ANY DAMAGES DUE TO PRODUCT MODIFICATION(S). If this product has not been purchased from our retail affiliates (within 9 months), we are under no obligation to provide parts or replacement merchandise. Parts will not be available for items arriving fully assembled.

"We will ship parts if available" "This is not a warranty"

PARTS REPLACEMENT FORM

STYLE NO: KA9463/KA9464/KA9465

Customer Name

PARTS
LETTER

PART
DESCRIPTION

QUANTITY
NEEDED

Street, City, State, Zip

Phone#



SOUTHERN ENTERPRISES INC.

P.O. Box 59996 Dallas, Texas 75229

Please indicate where you purchased this item.

Store/website/catalog

/ /

Please indicate color/size/style number

/ /