



STYLE NO.

KA1111 HONEY KITCHEN TABLE&STOOLS
NAT/WHT


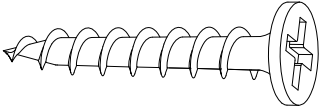
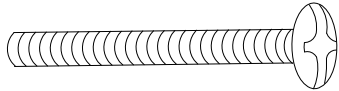
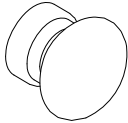
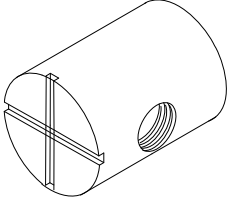
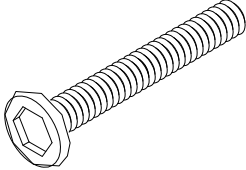
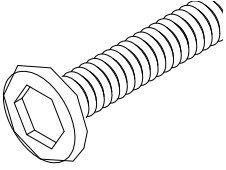
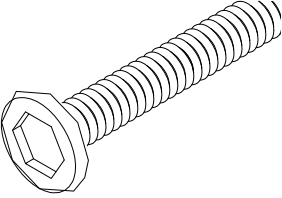
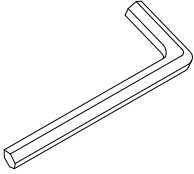
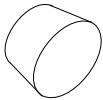
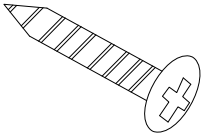
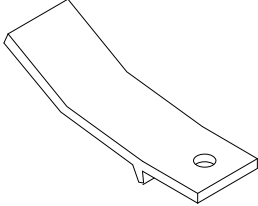
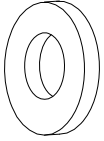

KA1112 HONEY KITCHEN TABLE&STOOLS
RICH BROWN OAK

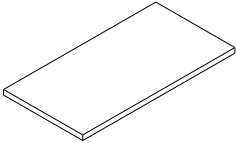
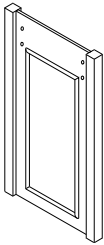
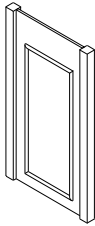
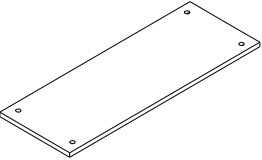
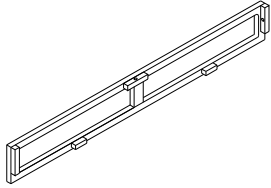
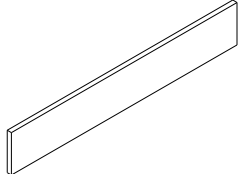
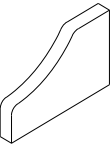
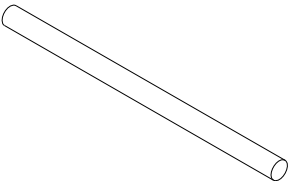
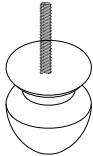
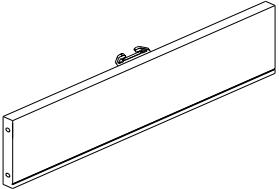
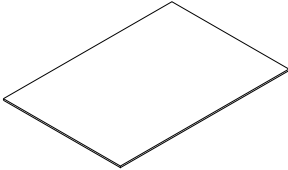
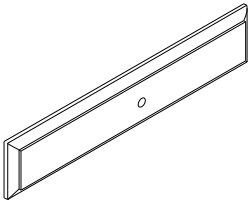
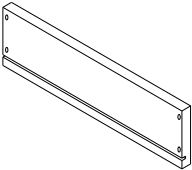
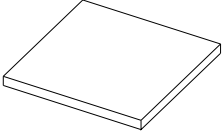
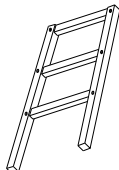
SOUTHERN ENTERPRISES INC.

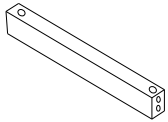
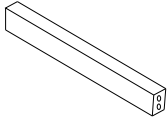
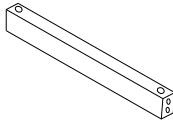
RELAX...If you can follow a few easy, step-by-step directions
in order .YOU CAN ASSEMBLE THIS ITEM.

PLEASE FIND HARDWARE IN RED POLYBAG BEFORE DISCARDING THE PACKING MATERIALS.

HARDWARE LIST

<p>A: LARGE WOOD DOWEL 36PCS</p>  <p>φ 8*30mm</p>	<p>B: BIG WOOD SCREW 16PCS</p> 	<p>C: LONG SCREW 2PCS</p> 
<p>D: KNOB 2PCS</p> 	<p>E: CAM LOCK 16PCS</p> 	<p>F: BIG BOLT 16PCS</p>  <p>φ 1/4*2-1/2</p>
<p>G: SMALL BOLT 4PCS</p>  <p>φ 1/4*1</p>	<p>H: MIDDLE BOLT 18PCS</p>  <p>φ 1/4*1-1/4</p>	<p>I: ALLEN WRENCH 1PC</p> 
<p>J: WOOD PLUG 24PCS</p> 	<p>M: MIDDLE WOOD SCREW 2PCS</p> 	<p>N: DRAWER STOPPER 2PCS</p> 
<p>O: WASHER 14PCS</p> 	<p>P: SMALL WOOD DOWEL 8PCS</p>  <p>φ 6*30mm</p>	

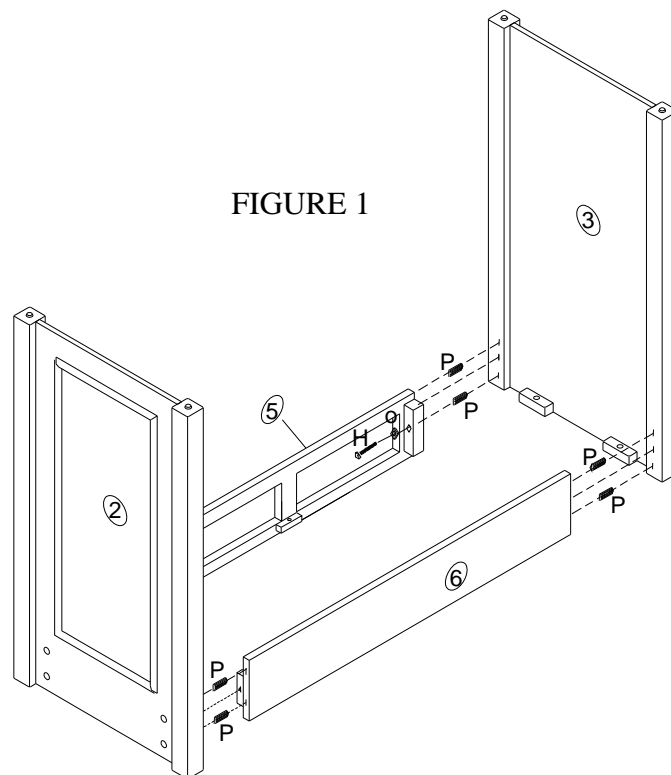
PARTS LIST		
<p>(1)TOP PANEL 1PC</p> 	<p>(2) LEFT FACING SIDE PANEL 1PC</p> 	<p>(3)RIGHT FACING SIDE PANEL 1PC</p> 
<p>(4) BOTTOM PANEL 1PC</p> 	<p>(5) FRONT APRON 1PC</p> 	<p>(6)BACK APRON 1PC</p> 
<p>(7)SIDE BAR (R&L)</p> 	<p>(8)CROSS BAR 1PC</p> 	<p>(9) LEG 4PCS</p> 
<p>(10) DRAWER BACK 2PCS</p> 	<p>(11) DRAWER BOTTOM 2PCS</p> 	<p>(12) DRAWER FRONT 2PCS</p> 
<p>(13) DRAWER SIDE 4PCS</p> 	<p>(14) SEAT PANEL 2PCS</p> 	<p>(15) LEG FRAME 4PCS</p> 

<p>(16) LOWER CROSS BAR 4PCS</p> 	<p>(17) MIDDLE CROSS BAR 4PCS</p> 	<p>(18) UPPER CROSS BAR 4PCS</p> 
--	---	--

ASSEMBLY INSTRUCTIONS

STEP 1

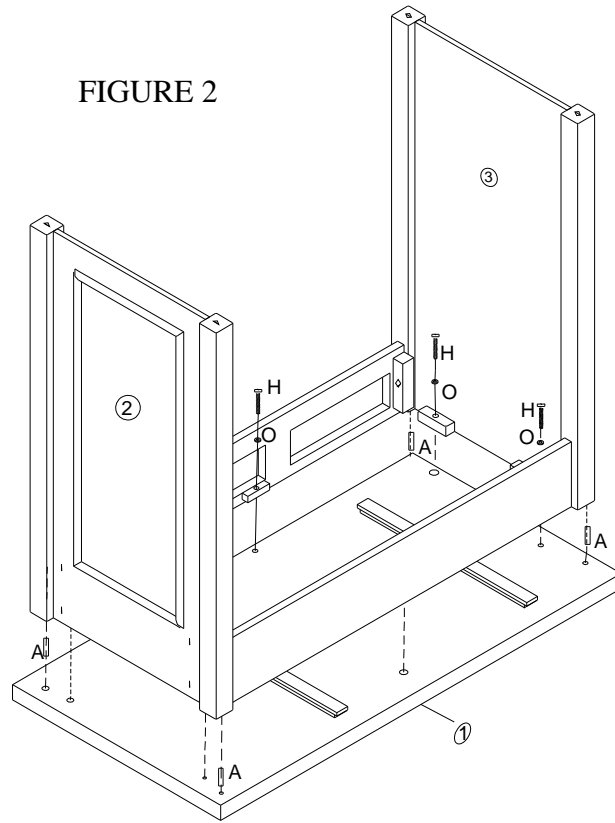
Connect the FRONT/BACK APRON (5/6) with the LEFT/RIGHT FACING SIDE PANEL (2/3) using the SMALL WOOD DOWELS (P), MIDDLE BOLTS (H) and WASHERS (O). Tighten them with the ALLEN WRENCH (I).



STEP 2

Connect the previously assembled portion with the TOP PANEL (1) using LARGE WOOD DOWELS (A), MIDDLE BOLTS (H) and WASHERS (O). Tighten them with the ALLEN WRENCH (I).

FIGURE 2



Page 3 of 7

STEP 3

Insert the CROSS BAR (8) into the holes in both the SIDE BARS(7) .Use the SMALL BOLTS(G) and WASHERS (O) to attach the 2 SIDE BARS (7) to the LEFT FACING SIDE PANEL(2) from the back of the LEFT FACING SIDE PANEL(2) .

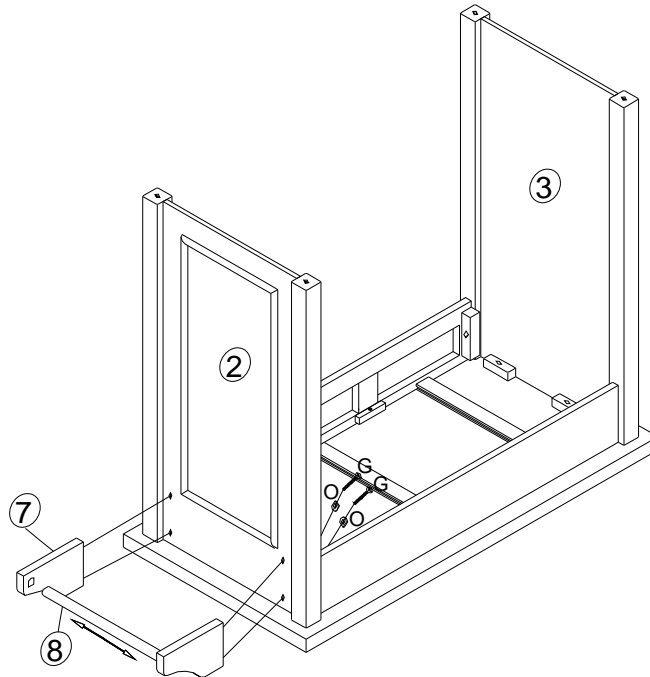


FIGURE 3

STEP 4

Put the previously assembled portion upside down, then lay the BOTTOM PANEL (4) on it. Lock up the 4 LEGS (9), BOTTOM PANEL (4) and the LEFT/RIGHT FACING SIDE PANEL (2/3) by rotating the LEGS (9).

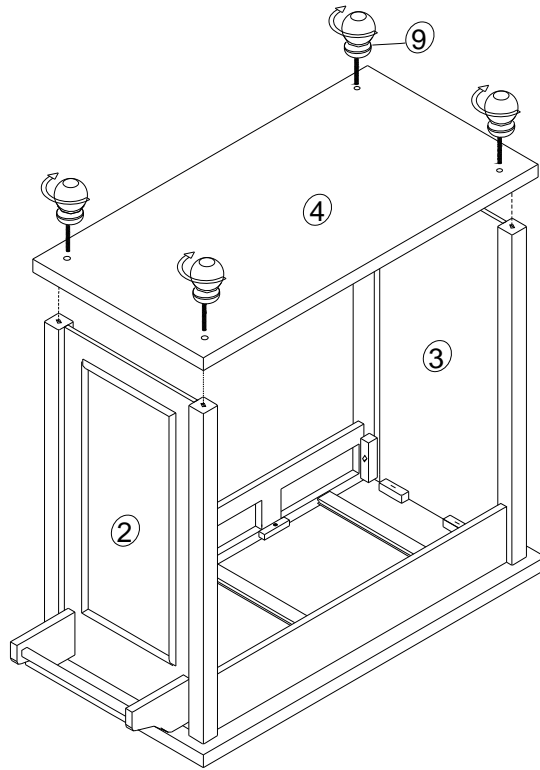


FIGURE 4

STEP 5

Attach the 2pcs DRAWER STOPPER (N) to the pre-drilled hole on the FRONT APRON (5) by screwing the 2pcs MIDDLE WOOD SCREW (M).

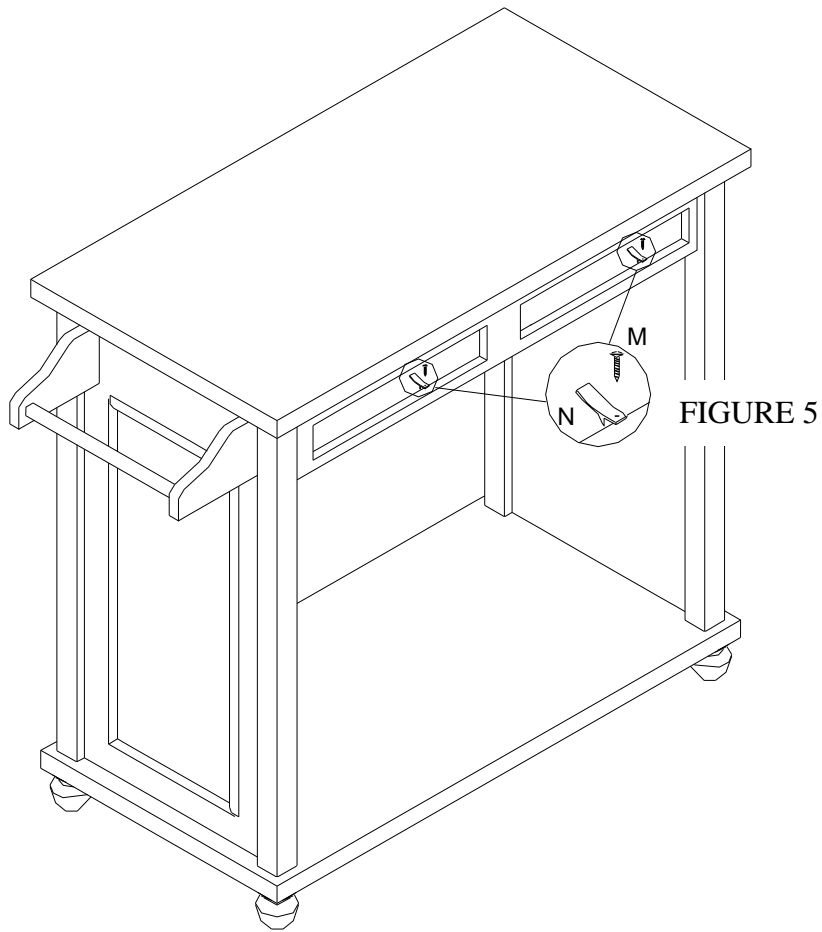


FIGURE 5

STEP 6

Assemble the drawer by using the **BIG WOOD SCREWS (B)**. Attach the 2pcs **KNOB (D)** to the **DRAWER FRONTS (12)** by using 2pcs **LONG SCREW (C)**. Finally, put the drawer into the unit.

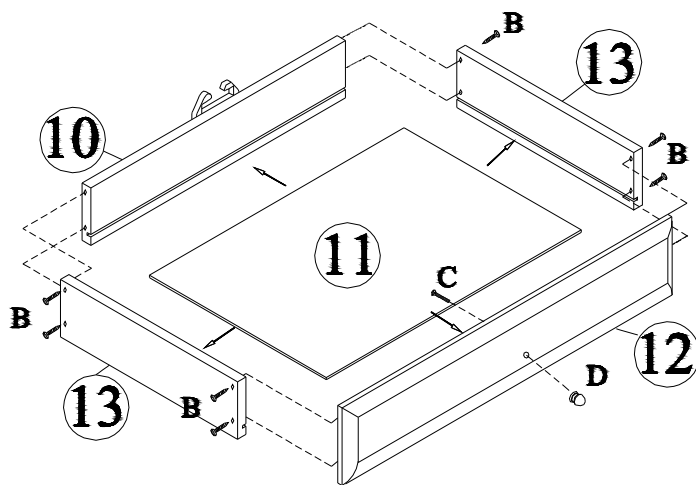
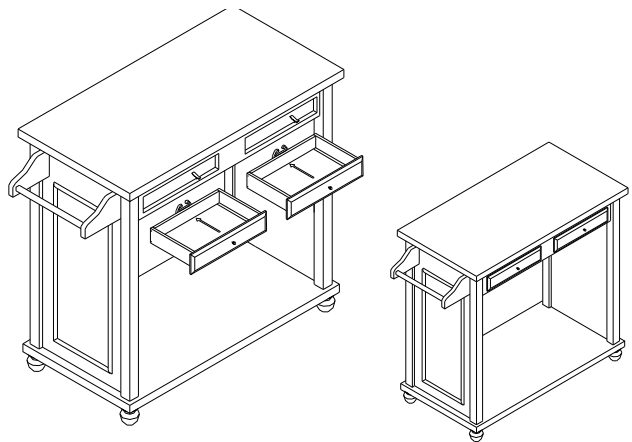
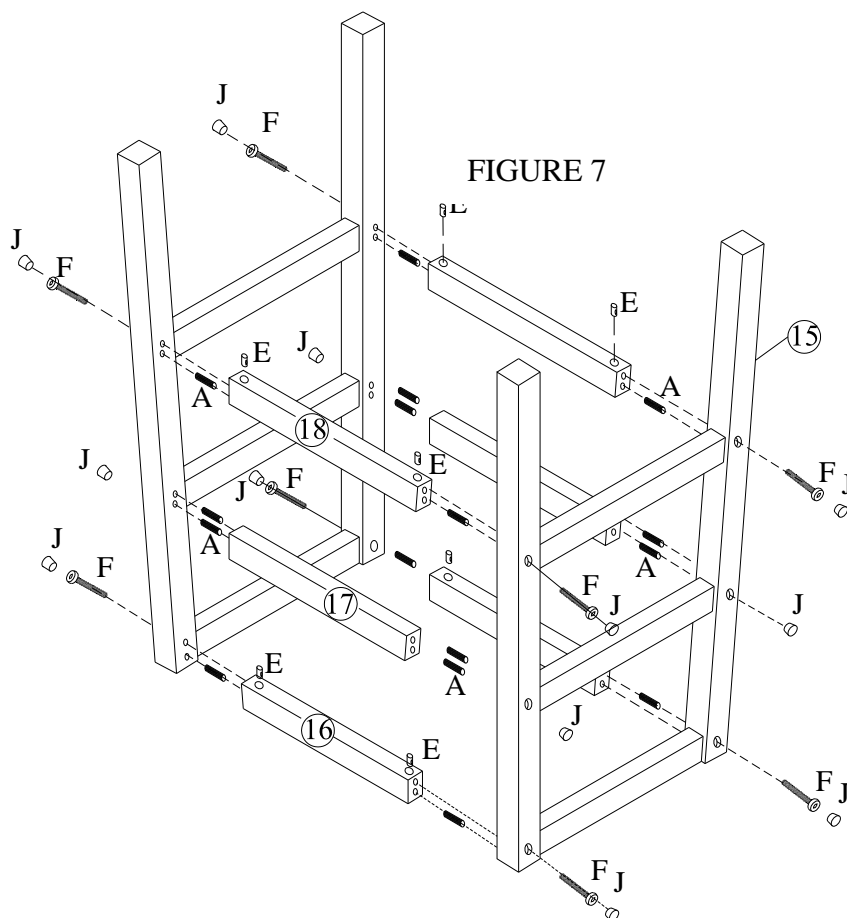


FIGURE 6



STEP 7

Connect the LOWER/UPPER/MIDDLE CROSS BARS (16/17/18) with the LEG FRAMES (15) using the LARGE WOOD DOWELS (A), CAME BOLTS (F) and CAM LOCKS (E). Cover the holes on the legs with WOOD PLUGS (J), .



STEP 8

Put the SEAT PANEL (14) upside down on the floor, and then connect the previously assembled portion with the SEAT PANEL (14) by screwing the MIDDLE BOLTS (H).

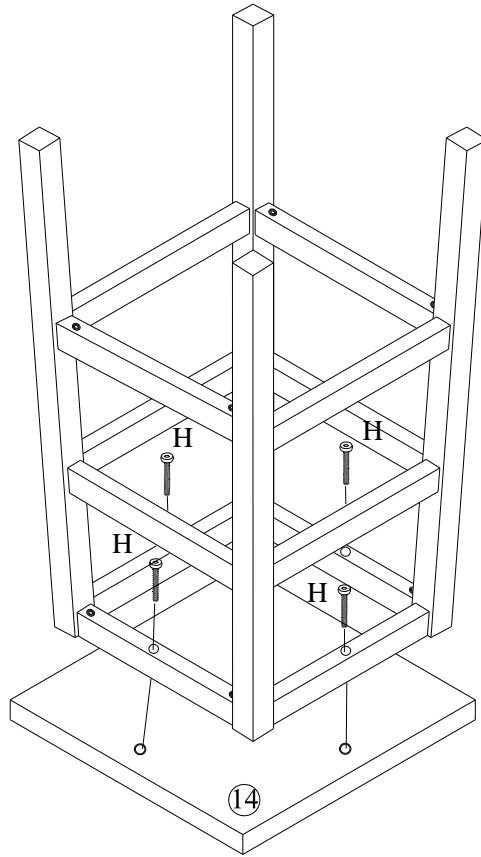


FIGURE 8


We will ship parts if available. This is not a warranty

Please count, identify and compare parts and hardware list to be sure all parts are present. It may help to divide parts and label them to correspond with part list. Extra hardware may be included. If any items are missing, please contact our parts/service department at (800) 633-5096 or in Dallas (972) 869-0111/ 9am – 4pm Mon-Fri Central time. Missing or damaged hardware and/ or parts will be replaced free of charge. WE DO NOT SELL PARTS. WE DO NOT RECOMMEND MODIFYING PRODUCT(S) AND WE ARE NOT RESPONSIBLE FOR ANY DAMAGES DUE TO PRODUCT MODIFICATION(S). If this product has not been purchased from our retail affiliates (within 9 months), we are under no obligation to provide parts or replacement merchandise. Parts will not be available for items arriving fully assembled.

PARTS REPLACEMENT FORM

STYLE NO: **KA1111 HONEY KITCHEN TABLE&STOOLS NAT/WHT**

KA1112 HONEY KITCHEN TABLE&STOOLS RICH BROWN OAK

Customer Name	PARTS LETTER	PART DESCRIPTION	QUANTITY NEEDED
Street, City, State, Zip			
Phone#			
			
<p data-bbox="737 422 1187 449">Please indicate where you purchased this item.</p> <p data-bbox="737 455 948 483">Store/website/catalog</p> <p data-bbox="834 514 932 541">/ /</p>			
<p data-bbox="737 543 1115 571">Please indicate color/size/style number</p> <p data-bbox="911 657 1019 684">/ /</p>			
<p data-bbox="138 577 490 632">SOUTHERN ENTERPRISES INC. P.O. Box 59996 Dallas, Texas 75229</p>			