

WATERTILE™ ROUND

Features

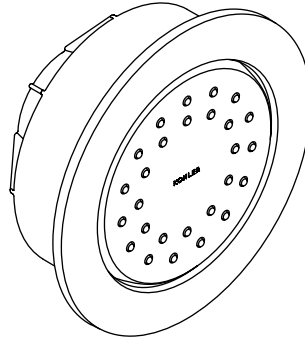
- 1/2" NPT connections
- Available 27- or 54-nozzle configurations
- 2 gallons (7.6 L) per minute flow rate (at 80 psi)

BODYSPRAY
K-8013
ALSO K-8014

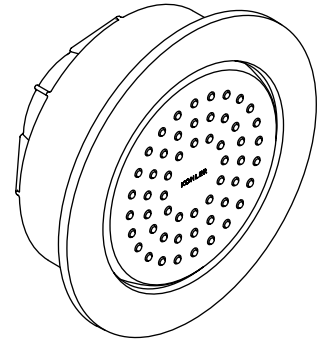
Codes/Standards Applicable

Specified model meets or exceeds the following:

- IAPMO/cUPC
- ASME A112.18.1/CSA B125.1
- Energy Policy Act of 1992



K-8013



K-8014

Colors/Finishes

- CP: Polished Chrome
- Other: Refer to Price Book for additional colors/finishes

Specified Model

Model	Description	Colors/Finishes	
K-8013	27-nozzle bodyspray	<input type="checkbox"/> CP	<input type="checkbox"/> Other_____
K-8014	54-nozzle bodyspray	<input type="checkbox"/> CP	<input type="checkbox"/> Other_____

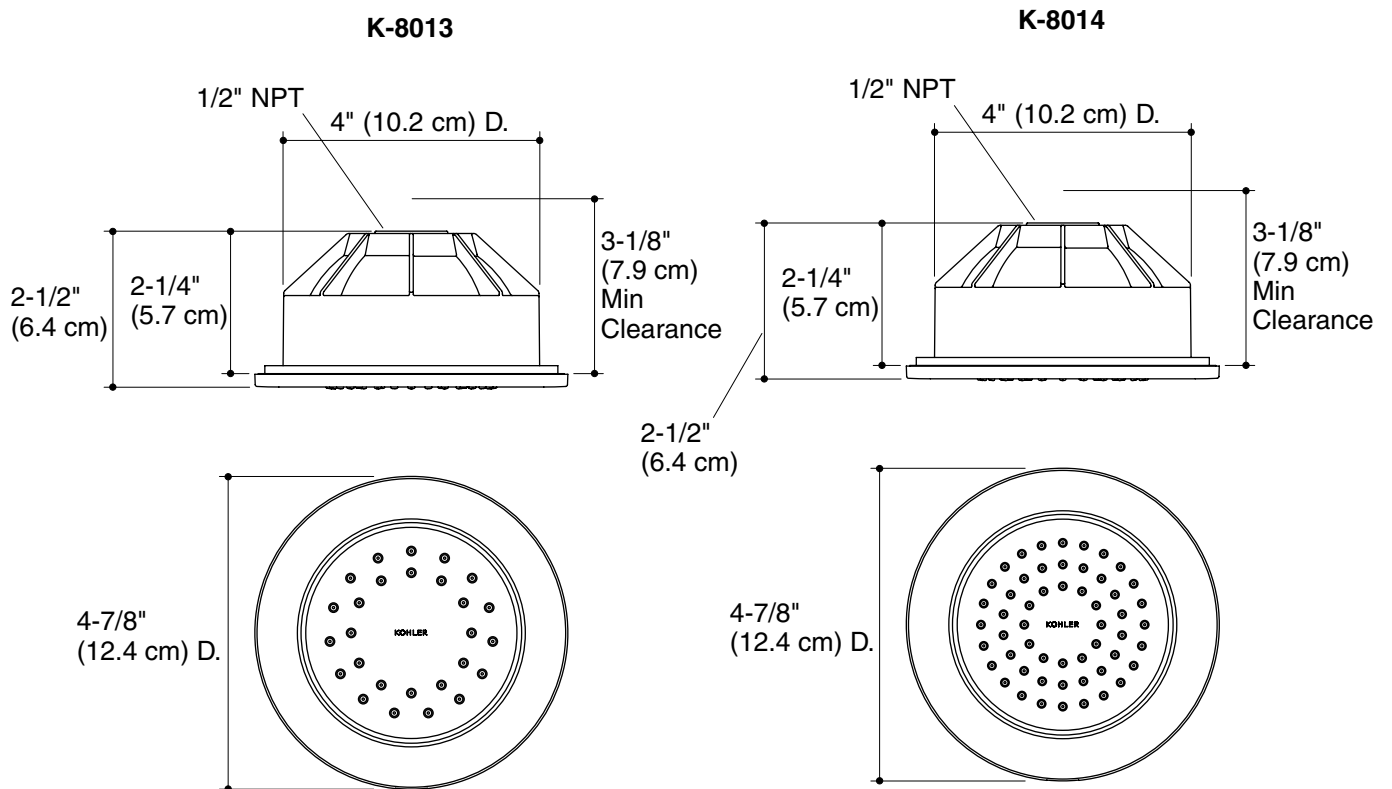
Product Specification

Bodyspray shall feature 27-nozzle or 54-nozzle spray configurations. Product flow rate shall be 2 gallons (7.6 L) per minute maximum at 80 psi. Bodyspray shall have 1/2" NPT connection. Bodyspray shall be Kohler Model K-____-____.

WATERTILE™ ROUND

Installation Notes

Install this product according to the installation guide.



Product Diagram