

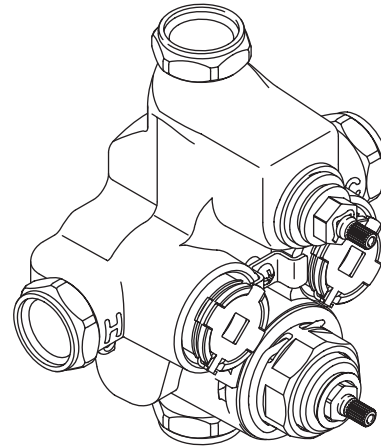
Features

- Brass construction
- Brass valve body
- Wall-mount
- High-temperature limit stop for added safety
- Two-handle control
- Temperature-balancing mechanism
- Scald hazard prevention
- Volume control
- Integral stops
- Crossflow prevention
- Filter screens
- 1/2" or 3/4" quarter-turn washerless ceramic disc valve
- 1/2" or 3/4" NPT connections

THERMOSTATIC MIXER

K-670-KS

ALSO K-680-KS



Codes/Standards Applicable

Specified model meets or exceeds the following:

- ASME A112.18.1
- ASSE 1016
- CSA B125
- IAPMO/UPC

Colors/Finishes

- NA: None applicable

Specified Model

Model	Description	Colors/Finishes
K-670-KS	3/4" thermostatic mixer - with volume control	<input type="checkbox"/> NA
K-680-KS	1/2" thermostatic mixer - with volume control	<input type="checkbox"/> NA
Optional Accessories:		
K-671-K	3/4" volume control valve - for use on bath outlets	<input type="checkbox"/> NA
K-681-K	1/2" volume control valve - for use on bath outlets	<input type="checkbox"/> NA
K-9663	Twin ell - for use with diverter bath spouts only	<input type="checkbox"/> NA

Product Specification

Two-handle wall-mount thermostatic mixer with volume control shall be of brass construction. Product shall include a brass valve body. Product shall feature a 1/2" or 3/4" quarter-turn washerless ceramic disc valve, assuring positive handle stop positioning. Product shall feature a high-temperature limit stop for added safety, a temperature-balancing mechanism, and a scald prevention mechanism. Product shall also feature integral stops, filter screens, and cross flow prevention. Product shall be available with 1/2" or 3/4" NPT connections. The thermostatic mixer shall be Kohler Model K-___-KS-NA.

MASTERSHOWER™

Installation Notes

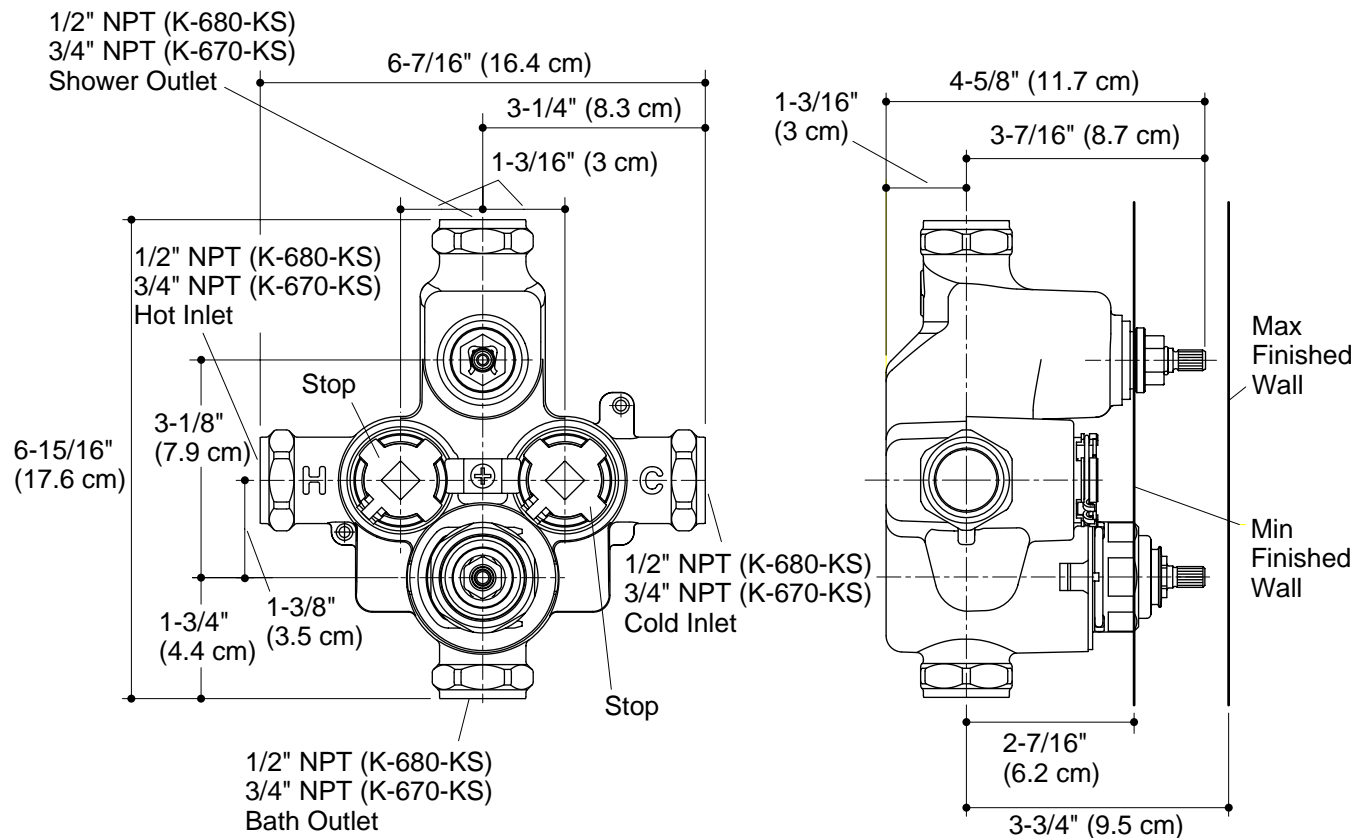
Install this product according to the installation guide.

The K-670-KS and K-680-KS thermostatic mixer valves include one volume control for shower-only installations. For bath and shower installations, an additional K-671-K or K-681-K volume control valve is required for the bath outlet.

An NPT plug must be installed in any unused outlet.

The lower port of the thermostatic mixer is intended for use with a bath spout only. If a bath spout is not used with this product, the lower port must be plugged.

For installations with a diverter spout, a K-9663 twin ell is required between the valve and the spout. A plug must be installed in the lower port of the valve and the supply to the K-9663 twin ell should run from the top port.



Product Diagram