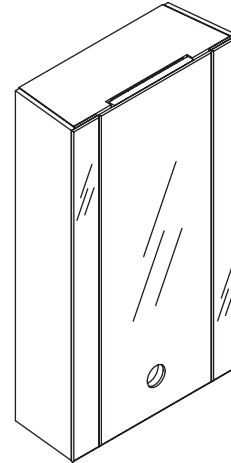


WALL STORAGE K-2432

Features

- Catalyzed polyurethane finish
- Integrated lights
- Mirrored surface
- Storage for toiletries
- Openings for faucet and handle [K-2443]
- Includes hanger for wall-mount installation
- Complements the Fountainhead Suite
- 21" (53.3) x 36" (91.4 cm) x 8-3/4" (22.2 cm)



Codes/Standards Applicable

Specified model meets or exceeds the following:

- Underwriters Laboratories (UL, cUL)

Colors/Finishes

- F34: Blanche Maple
- F35: Truffle Ash

Accessories:

- CP: Polished Chrome
- F34: Blanche Maple
- F35: Truffle Ash

Specified Model

Model	Description	Colors/Finishes	
K-2432	Wall storage - designed for integral faucet with lever handle	<input type="checkbox"/> F34	<input type="checkbox"/> F35
Required Accessories			
K-2443	Faucet with lever handle	<input type="checkbox"/> CP	
Recommended Accessories			
K-2435	Fountainhead 21" (53.3 cm) vanity	<input type="checkbox"/> F34	<input type="checkbox"/> F35
K-2436	Fountainhead 69" (175.3 cm) vanity	<input type="checkbox"/> F34	<input type="checkbox"/> F35
K-2437	Fountainhead 60" (152.4 cm) double vanity	<input type="checkbox"/> F34	<input type="checkbox"/> F35

Product Specification

The wall storage shall be 21" (53.3) in width, 36" (91.4 cm) in height, and 8-3/4" (22.2 cm) in depth. Product shall be have a catalyzed polyurethane finish. Wall storage shall feature integrated lights, mirrored surface, and storage for toiletries. Product shall feature openings for faucet and handle [K-2443]. Product shall complement the Fountainhead suite. Product shall be Kohler Model K-2432-_____.

FOUNTAINHEAD™

Technical Information

Included component:	
Hanger	1068822

Required Electrical Service

One (1) electrical supply is required, protected with Class A Ground-Fault Circuit-Interrupter (GFCI) or Earth-Leakage Circuit-Breaker (ELCB):	
Supply:	120 V, 15 A, 60 Hz
Lighting:	
Two (2) puck lights	5 W
Two (2) 21" (53.3 cm) T-5 fluorescent light ballasts	13 W

Installation Notes

Install this product according to the installation guide.

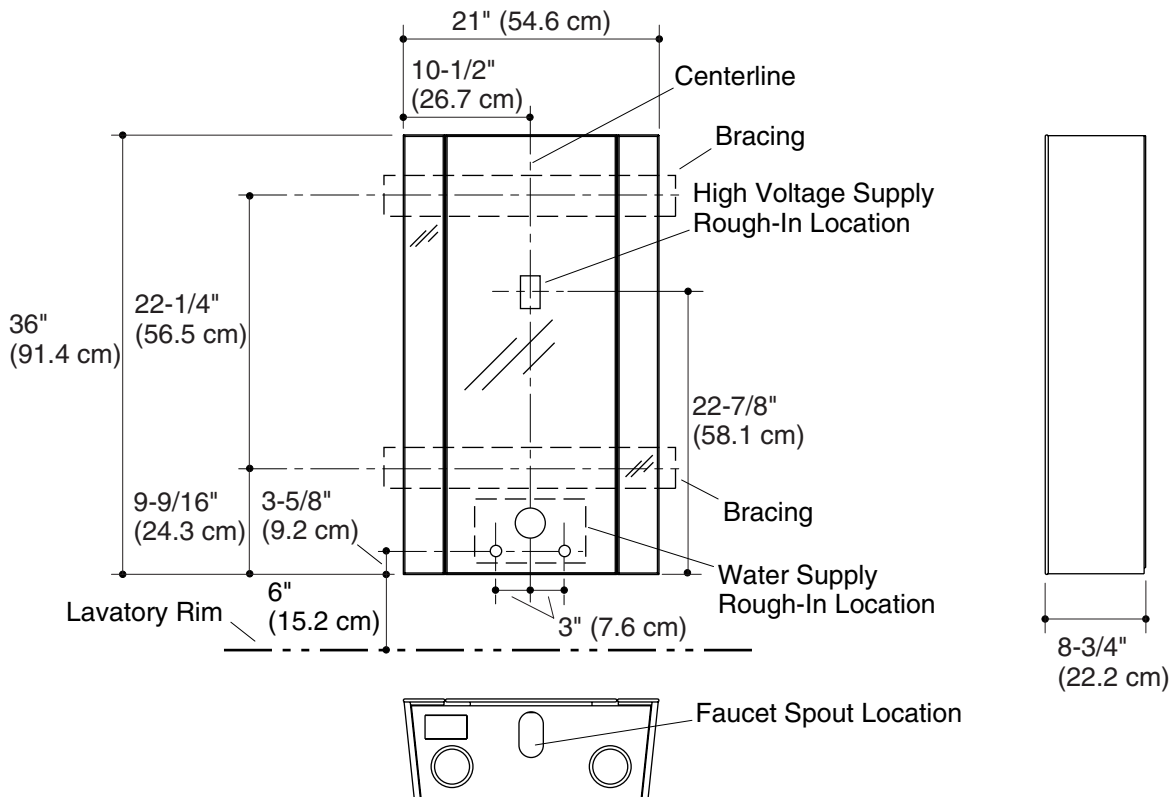
Select the type of fastener based on the wall material. A minimum of 50 lbs (22.68 kg) load bearing fastener is recommended.

Install the fastener to a stud to avoid possible property and product damage.

One (1) electrical supply is required for this installation.

A water supply is required for this installation.

To allow the user to fully extend the drawers, a minimum of 6" (15.2 cm) of clearance is required on the each side of the wall storage and between bottom of wall storage and rim of lavatory.



View from Bottom

Product Diagram