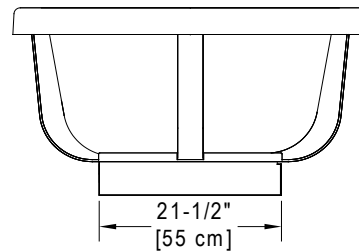
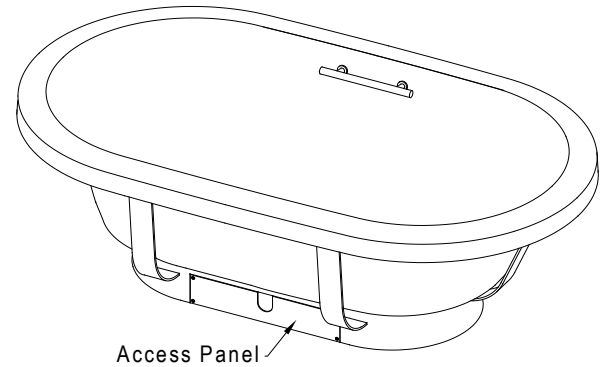
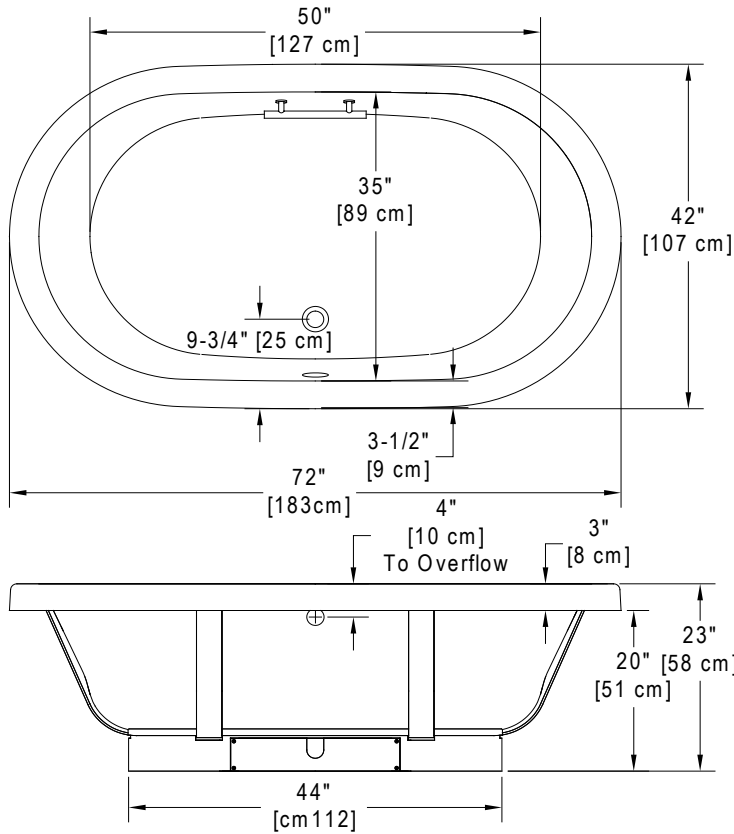


Designer Collection Specifications

Soaking - IC635P



Patents recieved or pending.

Note: Dimensional Tolerances: ±1/4"

Drop-in-Hole Size:	N/A
Operating Capacity:	71 Gal.
Overflow Capacity:	71 Gal.
Floor Loading / sq.ft.:	37 lbs.
Carton Weight:	200 lbs.
Cube:	48 ft. ³

Construction: Fiberglass reinforced acrylic bath with Level Form™ full-support base.

We provide products listed with Intertek ETL SEMKO (Edison Testing Laboratories) U.S. and Canadian and with International Association of Plumbing and Mechanical Officials (IAPMO). Consult factory with your listing requirements.