

JUNO lighting

ACULUX™ RECESSED DOWNLIGHT

6" BAFFLED APERTURE

IC Rated, 100W A19

IC906-633 SERIES

Project: _____

Fixture Type: _____

Location: _____

Contact/Phone: _____

PRODUCT DESCRIPTION

Recessed A-lamp downlight with 6" deep Alzak® cone/baffle aperture. Fixture has 50° visual cutoff to lamp and lamp image. Sealed Air-Loc housing eliminates leak-paths to ensure maximum energy savings and comfort. Also controls plenum sound transmission and keeps dust and insects from entering living space. IC rated housing for use in direct contact with insulation.

PRODUCT SPECIFICATIONS

Lamp One 100W A19 lamp.

Socket Medium base porcelain socket with nickel plated copper screw shell.

Trim Ring White baked enamel on steel.

Reflector .050" aluminum reflector with clear Alzak® finish.

Baffle Integral black or white grooved baffle.

Labels U.L. listed for direct contact with insulation, through-branch wiring, damp locations and IP • Meets Washington State Air Tight Requirements, 1995 CABO Model Energy Code

- Product thermally protected against improper use of lamps
- Union made AFL-CIO • CSA certified.

Testing All reports are based on published industry procedures; field performance may differ from laboratory performance.

Product specifications subject to change without notice.

INSTALLATION

Real Nail Bar Hangers Telescoping Real Nail™ bar hanger system permits quick placement of housing anywhere within 24" O.C. joists or suspended ceilings • Bars scored in two locations for fast, clean breaking allowing housing installation in tight applications • Edge-mounted for extra strength • Bars captive to mounting frame • Captive ring shank nail for quick one-step installation • Quick-Loc slot and oversized locking set screw locks fixture in position.

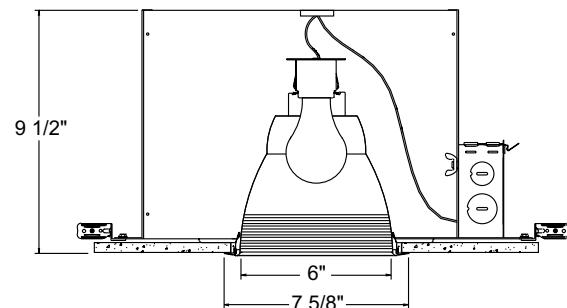
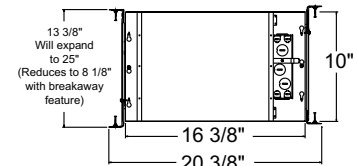
Junction Box Pre-wired junction box, U.L. listed/CSA certified for through-branch wiring, maximum 8 No. 12 AWG 90° C branch circuit conductors (4 in, 4 out) • Junction box provided with removable access plates (5) ½" and (1) ¾" knockouts, (4) Romex knock-outs with built-in strain reliefs and ground wire • Knockouts equipped with pryout slots.

Housing/Mounting Frame 20-gauge die-formed galvanized steel plaster frame • .032" die-formed aluminum housing • Rough-in section (junction box, mounting frame, housing assembly and bar hangers) fully assembled for ease of installation.

PRODUCT CODES

Catalog Number	Trim	Wattage and Lamp
IC906-633B-WH	Black Baffle/Clear Alzak	100W A19
IC906-633W-WH	White Baffle/Clear Alzak	100W A19

DIMENSIONS



6 7/8" CEILING CUTOUT

ACCESSORIES

Catalog No.	Description
G2405	T-Bar Clips (4)

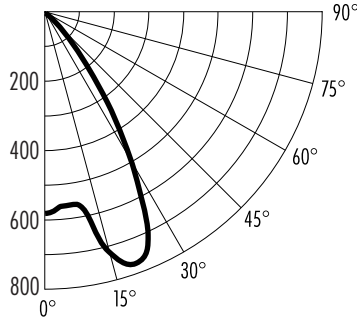
To order, specify catalog number.

PHOTOMETRIC REPORT

Test Report #: PT03010702
Catalog No: IC906-633B-WH
Total Luminaire Efficiency: 48.5%
Luminaire Spacing Criterion: 1.04
Luminaire: 6" Recessed A-Lamp Downlight, Baffled Aperture
Lamp: One 100W A19 IF lamp rated @ 1710 lumens

ACULUX™ RECESSED DOWNLIGHT
 6" BAFFLED APERTURE
 IC Rated, 100W A19
IC906-633 SERIES

CANDLEPOWER DISTRIBUTION (Candelas)



Degrees Vertical	Average
0	582
5	573
10	573
15	727
20	776
25	712
30	523
35	315
40	150
45	72
50	23
55	2
60	0
65	0
70	0
75	0
80	0
85	0
90	0

*Multiplier: White Baffle - 1.10

LUMINANCE (Average cd/m²)

Degrees	Average Luminance
45	5802
55	209
65	0
75	0
85	0

ZONAL LUMEN SUMMARY

Zone	Lumens	%Lamp	%Fixture
0-30°	573	33.5	69.2
0-40°	769	45.0	92.7
0-60°	829	48.5	100.0
0-90°	829	48.5	100.0
90-180°	0	—	—
0-180°	829	48.5	100.0

COEFFICIENTS OF UTILIZATION- % (Zonal Cavity Method) Effective Floor Cavity Reflectance 20% (ρ_{fc})

RCR	ρ_{cc} ρ_w	80			70			50			30			10			0
		50	30	10	50	30	10	50	30	10	50	30	10	50	30	10	
0		58	58	58	56	56	56	54	54	54	52	52	52	49	49	49	48
1		54	52	51	53	51	50	51	50	49	49	48	47	47	47	46	45
2		50	48	46	49	47	46	47	46	45	46	45	44	45	44	43	42
3		46	44	42	46	43	41	44	42	41	43	42	40	42	41	40	39
4		43	40	38	42	40	38	41	39	37	40	39	37	40	38	37	36
5		40	37	35	40	37	35	39	36	35	38	36	34	37	35	34	33
6		37	34	32	37	34	32	36	34	32	36	33	32	35	33	32	31
7		35	32	30	35	32	30	34	31	30	33	31	29	33	31	29	29
8		33	30	28	33	30	28	32	29	28	31	29	27	31	29	27	27
9		31	28	26	31	28	26	30	27	26	30	27	26	29	27	25	25
10		29	26	24	29	26	24	28	26	24	28	26	24	28	25	24	23

ρ_{cc} – Ceiling Cavity Reflectance (%) ρ_w – Wall Reflectance (%)

INITIAL FOOTCANDLES

One Unit, 100W A19, 66° Beam

Footcandles Beam Edge	Footcandles Beam Center	Beam Diameter	Distance to Illuminated Work Plane (Feet)
6.4	16.2	7.8'	6
3.6	9.1	10.4'	8
2.3	5.8	13.0'	10
1.6	4.0	15.7'	12
1.2	3.0	18.3'	14
0.9	2.3	20.9'	16
0.7	1.8	23.5'	18

(Beam Edge defined as 50% of Maximum Nadir Candlepower)

AVERAGE INITIAL FOOTCANDLES

Multiple Units (Square Array, 60' x 60' Room)

Ceiling 80% Wall 50% Floor 20%

Spacing	RCR1	RCR3	RCR5
4.0'	58	49	43
5.0'	37	31	27
6.0'	26	22	19
7.0'	21	18	15
8.0'	16	14	12
9.0'	13	11	9
10.0'	9	8	7

*Note: Multipliers are provided for estimating purposes only. Use IES photometric files for precise photometric information.



1300 S. Wolf Road, P.O. Box 5065, Des Plaines, IL 60017-5065 Phone 847.827.9880 FAX 847.827.2925
 220 Chrysler Dr., Brampton, Ontario, Canada, L6S 6B6 Phone 905.792.7335 FAX 905.792.0064
 Visit us at www.junolighting.com