

JUNO lighting

ACULUX™ RECESSED DOWNLIGHT

6" OPEN APERTURE

IC Rated, 100W A19/MB19/BT15

IC906-643 SERIES

Project: _____

Fixture Type: _____

Location: _____

Contact/Phone: _____

PRODUCT DESCRIPTION

Recessed A-lamp downlight with 6" deep Alzak® cone aperture. Fixture has 50° visual cutoff to lamp and lamp image. Sealed Air-Loc housing eliminates leak-paths to ensure maximum energy savings and comfort. Also controls plenum sound transmission and keeps dust and insects from entering living space. IC rated housing for use in direct contact with insulation.

PRODUCT SPECIFICATIONS

Lamp One 100W A19/MB19/BT15 lamp.

Socket Medium base porcelain socket with nickel plated copper screw shell.

Trim Ring White baked enamel on steel.

Reflector .050" aluminum ellipsoidal reflector with clear, gold, or haze finish.

Labels U.L. listed for direct contact with insulation, through-branch wiring, damp locations and IP • Meets Washington State Air Tight Requirements, 1995 CABO Model Energy Code

- Product thermally protected against improper use of lamps
- Union made AFL-CIO • CSA certified.

Testing All reports are based on published industry procedures; field performance may differ from laboratory performance.

Product specifications subject to change without notice.

INSTALLATION

Real Nail Bar Hangers Telescoping Real Nail™ bar hanger system permits quick placement of housing anywhere within 24" O.C. joists or suspended ceilings • Bars scored in two locations for fast, clean breaking allowing housing installation in tight applications • Edge-mounted for extra strength • Bars captive to mounting frame • Captive ring shank nail for quick one-step installation • Quick-Loc slot and oversized locking set screw locks fixture in position.

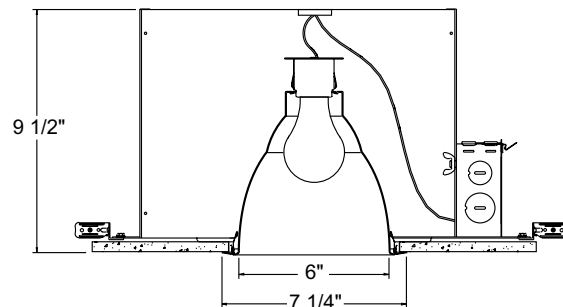
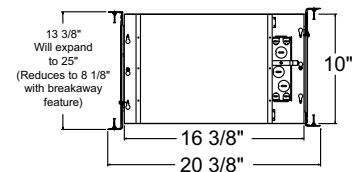
Junction Box Pre-wired junction box, U.L. listed/CSA certified for through-branch wiring, maximum 8 No. 12 AWG 90° C branch circuit conductors (4 in, 4 out) • Junction box provided with removable access plates (5) ½" and (1) ¾" knockouts, (4) Romex knock-outs with built-in strain reliefs and ground wire • Knockouts equipped with pryout slots.

Housing/Mounting Frame 20-gauge die-formed galvanized steel plaster frame • .032" die-formed aluminum housing • Rough-in section (junction box, mounting frame, housing assembly and bar hangers) fully assembled for ease of installation.

PRODUCT CODES

Catalog Number	Reflector Finish	Wattage and Lamp
IC906-643C-WH	Clear Alzak	100W A19, 100W MB19, 100W BT15
IC906-643G-WH	Gold Alzak	100W A19, 100W MB19, 100W BT15
IC906-643HZ-WH	Haze	100W A19, 100W MB19, 100W BT15

DIMENSIONS



6 7/8" CEILING CUTOUT

ACCESSORIES

Catalog No.	Description
G2405	T-Bar Clips (4)

To order, specify catalog number.

PHOTOMETRIC REPORT

Test Report #: PT04011602
 Catalog No: IC906-643C-WH
 Total Luminaire Efficiency: 69.7%
 Luminaire Spacing Criterion: 1.14
 Luminaire: 6" Recessed A-Lamp Downlight, Open Aperture
 Lamp: One 100W A19 IF lamp rated @ 1710 lumens

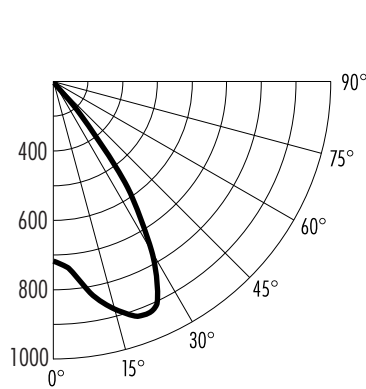
ACULUX™ RECESSED DOWNLIGHT

6" OPEN APERTURE

IC Rated, 100W A19/MB19/BT15

IC906-643 SERIES

CANDLEPOWER DISTRIBUTION (Candelas)



Degrees Vertical	Average
0	722
5	742
10	811
15	888
20	933
25	923
30	763
35	569
40	317
45	113
50	11
55	3
60	1
65	0
70	0
75	0
80	0
85	0
90	0

*Multipliers: Gold - 0.9, Haze - 0.95

LUMINANCE (Average cd/m²)

Degrees	Average Luminance
45	9121
55	313
65	0
75	0
85	0

ZONAL LUMEN SUMMARY

Zone	Lumens	%Lamp	%Fixture
0-30°	740	43.3	62.1
0-40°	1086	63.5	91.1
0-60°	1193	69.7	100.0
0-90°	1193	69.7	100.0
90-180°	0	—	—
0-180°	1193	69.7	100.0

COEFFICIENTS OF UTILIZATION- % (Zonal Cavity Method) Effective Floor Cavity Reflectance 20% (ρ_{fc})

RCR	ρ_{cc} ρ_w	80			70			50			30			10			0
		50	30	10	50	30	10	50	30	10	50	30	10	50	30	10	
0		83	83	83	81	81	81	77	77	77	74	74	74	71	71	71	70
1		77	75	73	75	74	72	73	71	70	70	69	68	68	67	66	65
2		71	68	66	70	67	65	68	65	64	66	64	62	64	62	61	60
3		66	62	59	65	62	59	63	60	58	61	59	57	60	58	56	55
4		61	57	54	60	56	54	59	55	53	57	55	52	56	54	52	51
5		57	52	49	56	52	49	55	51	48	54	50	48	52	50	48	47
6		53	48	45	52	48	45	51	47	45	50	47	44	49	46	44	43
7		49	45	41	49	44	41	48	44	41	47	43	41	46	43	41	40
8		46	41	38	45	41	38	45	41	38	44	40	38	43	40	38	37
9		43	38	35	42	38	35	42	38	35	41	38	35	41	37	35	34
10		40	36	33	40	36	33	39	35	33	39	35	33	38	35	33	32

ρ_{cc} – Ceiling Cavity Reflectance (%) ρ_w – Wall Reflectance (%)

INITIAL FOOTCANDLES

One Unit, 100W A19, 73.8° Beam

Footcandles Beam Edge	Footcandles Beam Center	Beam Diameter	Distance to Illuminated Work Plane (Feet)
6.7	20.1	9.0'	6
3.8	11.3	12.0'	8
2.4	7.2	15.0'	10
1.7	5.0	18.0'	12
1.2	3.7	21.0'	14
0.9	2.8	24.0'	16
0.7	2.2	27.0'	18

(Beam Edge defined as 50% of Maximum Nadir Candlepower)

AVERAGE INITIAL FOOTCANDLES

Multiple Units (Square Array, 60' x 60' Room)

Ceiling 80% Wall 50% Floor 20%

Spacing	RCR1	RCR3	RCR5
4.0'	82	71	61
5.0'	53	45	39
6.0'	37	31	27
7.0'	30	25	22
8.0'	23	20	17
9.0'	18	15	13
10.0'	13	11	10

*Note: Multipliers are provided for estimating purposes only. Use IES photometric files for precise photometric information.



1300 S. Wolf Road, P.O. Box 5065, Des Plaines, IL 60017-5065 Phone 847.827.9880 FAX 847.827.2925

220 Chrysler Dr., Brampton, Ontario, Canada, L6S 6B6 Phone 905.792.7335 FAX 905.792.0064

Visit us at www.junolighting.com

Printed in U.S.A. ©2003 Juno Lighting, Inc.