

DESCRIPTION

Non-IC AIR-TITE™ fixture for use with H3 3" series trims. Housing is AIR-TITE with supplied gasket and prevents airflow between heated or air conditioned spaces and unconditioned attic areas. For use with 120V GU10 lamps.

Non-IC Housing is AIR-TITE™ but insulation must be kept 3" away from all sides of housing.

Catalog #		Type	
Project			
Comments		Date	
Prepared by			

DESIGN FEATURES

Housing

Formed of 20 gauge CRS with white powder coat finish.

Plaster Frame

Housing adjusts in plaster frame to accommodate up to 1-1/2" ceiling thickness. Galvanized steel construction. Plaster frame features include:

- Regressed locking screw for securing hanger bars.
- Cutouts for easily crimping hanger bars in position.
- Halo name embossed on plaster frame. The housing may be removed from plaster frame to provide access to the junction box.

Junction Box

- UL Listed for through branch circuit wiring (maximum 8 No.12 ga., 90°C conductors).
- Four 1/2" trade size conduit knockouts with true pry-out slots are positioned to accommodate straight conduit runs.

- Three Slide-N-Side™ wire traps allow non-metallic sheathed cable to be installed without tools and without removing knockouts. Accepts a wide range of non-metallic sheathed cable.
 - Allows wiring connections to be made outside the junction box
 - Simply insert the cable directly into the trap after connections are made.
 - Accommodates the following standard non-metallic sheathed cable sizes: (US) #14/2, #14/3, #12/2, #12/3 (Canada) #14/2, #14/3, #12/2

Got NAIL!™ Bar Hangers

- Pre-installed nail easily installs in regular lumber, engineered lumber and laminated beams.
- Safety and guidance system prevents snagging, ensures smooth straight nail penetration and allows bar hangers to be easily removed if necessary.

- Automatic levelling flange aligns the housing and lets you hold the housing in place with one hand while driving nails.
- Housing can be positioned at any point within 24" joist span
- Pass-N-Thru™ feature allows bar hangers to be shortened without removing from plaster frame.
- Score lines allow "toolless" shortening for 12" joists.
- Bar hangers may be repositioned 90°.
- Integral T-bar clip snaps onto T-bars - no additional clips required.

Socket

GU10 socket for 120V GU10 lamps.

Labels

- UL/cUL Listed
- Damp Location Listed
- Listed for Feed Through
- Certified Under ASTM-E283 for air tight construction



H36TAT

3" Non-IC AIR-TITE™ Recessed Housing
120V GU10

3" TRIMS



FOR USE IN NON-INSULATED CEILINGS

CAN BE USED IN INSULATED CEILINGS BUT INSULATION MUST BE KEPT 3" FROM ALL SIDES OF THE HOUSING

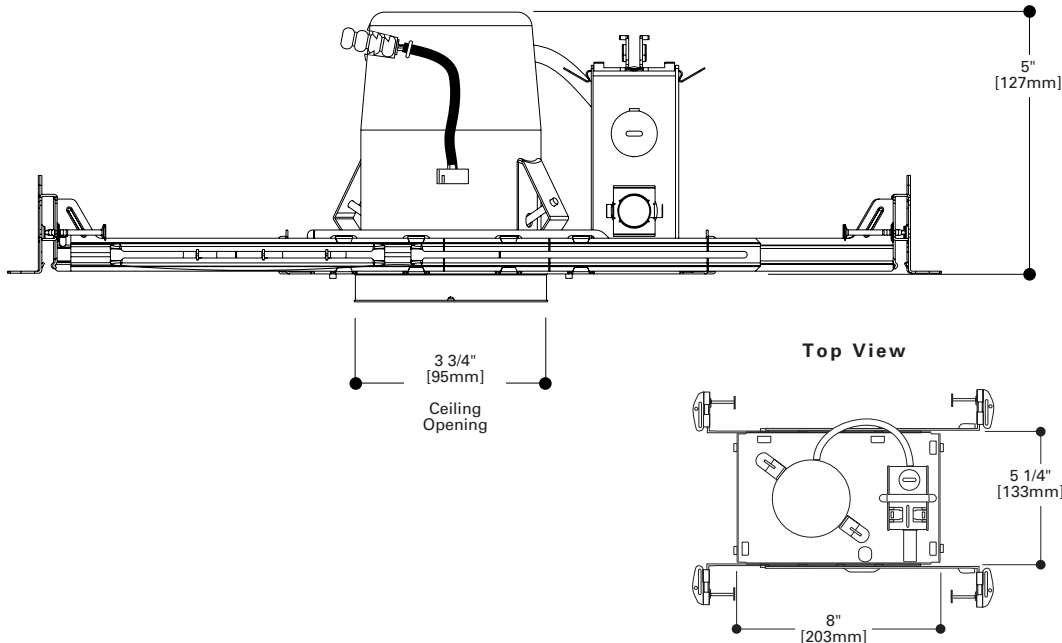


with all trims listed



FEATURES:

- SLIDE-N-SIDE™ JUNCTION BOX
- GOT NAIL!™ BAR HANGERS
- PASS-N-THRU™ BAR HANGERS
- REGRESSED LOCKING SCREW
- HALO ID ON PLASTER FRAME



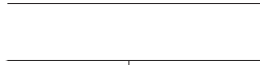
TRIMS

ORDERING INFORMATION

SAMPLE NUMBER: H36TAT-3001WHBB

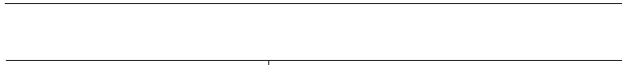
Order housing, trim and accessories separately.

Housing

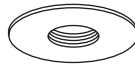


H36TAT=3" AIR-TITE™ Non-IC
Small Aperture Line
Voltage GU10 Housing

Trims



Note: Consult individual trim specification sheets for additional information and color views

Adjustable Pinhole Baffle
50W GU10


3001

3001WHBB=White with Black Baffle
3001BKBB=Black with Black Baffle
3001SNBB=Satin Nickel with Black Baffle
3001ACBB=Antique Copper with Black Baffle
3001TBZBB=Tuscan Bronze with Black Baffle
OD: 4 1/4" (108mm)

Adjustable Pinhole Reflector
50W GU10


3002

3002WHC=White with Clear Reflector
3002BKC=Black with Clear Reflector
3002SNC=Satin Nickel with Clear Reflector
3002ACC=Antique Copper with Clear Reflector
3002TBZC=Tuscan Bronze with Clear Reflector
OD: 4 1/4" (108mm)

Adjustable Baffle
50W GU10


3003

3003WHBB=White with Black Baffle
3003WHWB=White with White Baffle
3003BKBB=Black with Black Baffle
3003SNB=Satin Nickel with Satin Nickel Baffle
3003ACB=Antique Copper with Antique Copper Baffle
3003TBZB=Tuscan Bronze with Tuscan Bronze Baffle
OD: 4 1/4" (108mm)

Adjustable Reflector
50W GU10


3004

3004WHC=White with Clear Reflector
3004BKC=Black with Clear Reflector
3004SN=Satin Nickel with Satin Nickel Reflector
3004AC=Antique Copper with Antique Copper Reflector
3004TBZ=Tuscan Bronze with Tuscan Bronze Reflector
OD: 4 1/4" (108mm)

Crossblade Reflector
50W GU10


3005

3005WHC=White with Clear Reflector
3005BKC=Black with Clear Reflector
OD: 4 1/4" (108mm)

Adjustable Slot Aperture
50W GU10


3006

3006WHBB=White with Black Baffle
3006BKBB=Black with Black Baffle
3006SNBB=Satin Nickel with Black Baffle
3006ACBB=Antique Copper with Black Baffle
3006TBZBB=Tuscan Bronze with Black Baffle
OD: 4 1/4" (108mm)

Regressed Lens Showerlight - wet location listed
50W GU10


3007

3007WHC=White with Clear Reflector
3007PCC=Polished Chrome with Clear Reflector
3007SN=Satin Nickel with Satin Nickel Reflector
3007AC=Antique Copper with Antique Copper Reflector
3007TBZ=Tuscan Bronze with Tuscan Bronze Reflector
OD: 4 1/4" (108mm)

Showerlight - wet location listed
50W GU10


3008

3008FG=White Polymer with Glass Lens with Frosted Perimeter
OD: 4 1/4" (108mm)

Adjustable Gimbal
50W GU10


3009

3009WHBB=White with Black Baffle
3009WHWB=White with White Baffle
3009BKBB=Black with Black Baffle
3009SNBB=Satin Nickel with Black Baffle
3009ACBB=Antique Copper with Black Baffle
3009TBZBB=Tuscan Bronze with Black Baffle
OD: 4 1/4" (108mm)

Accessories



Lamp
Z28=GU10, 25° 50W 120V lamp

Note: Specifications and Dimensions subject to change without notice.

Visit our web site at www.cooperlighting.com