

DESCRIPTION

Non-IC AIR-TITE™ remodel fixture for use with H3 3" series trims. Can be installed from below the ceiling. Housing is AIR-TITE with supplied gasket and prevents airflow between heated or air conditioned spaces and unconditioned attic areas. For use with 12V MR16 lamps. Non-IC Housing is AIR-TITE™ but insulation must be kept 3" away from all sides of housing.

Catalog #		Type
Project		
Comments		Date
Prepared by		

DESIGN FEATURES

Housing

Formed of 20 gauge CRS with white powder coat finish.

Supports

"Easy clip" provided to secure plaster frame in ceiling while installation is being completed. Adjustable cam locks provide positive lock of housing to plaster frame to complete housing installation.

Junction Box

- UL Listed for through branch circuit wiring (maximum 4 No.12 ga., 90°C conductors).
- Four 1/2" trade size conduit knockouts with true pry-out slots are positioned to

accommodate straight conduit or metallic "MC" cable runs in new construction.

- Three Slide-N-Side™ wire traps allow non-metallic sheathed cable to be installed without tools and without removing knockouts. Accepts a wide range of non-metallic sheathed cable.
 - Allows wiring connections to be made outside the junction box
 - Simply insert the cable directly into the trap after connections are made.
 - Accommodates the following standard non-metallic sheathed cable sizes: (US) #14/2, #14/3, #12/2, #12/3

(Canada) #14/2, #14/3, #12/2

- No-accessible ceiling installation requires non-metallic "NM" sheathed cable connection.

Socket

GU5.3 socket for 12V MR16 lamps.

Transformer

Integral magnetic transformer steps 120V line voltage down to 12V lamp operating voltage

Labels

- UL/cUL Listed
- Damp Location Listed
- Listed for Feed Through
- Certified Under ASTM-E283 for air tight construction



H36LVRTAT

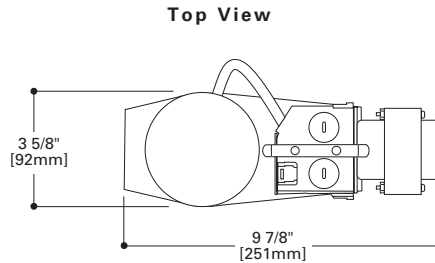
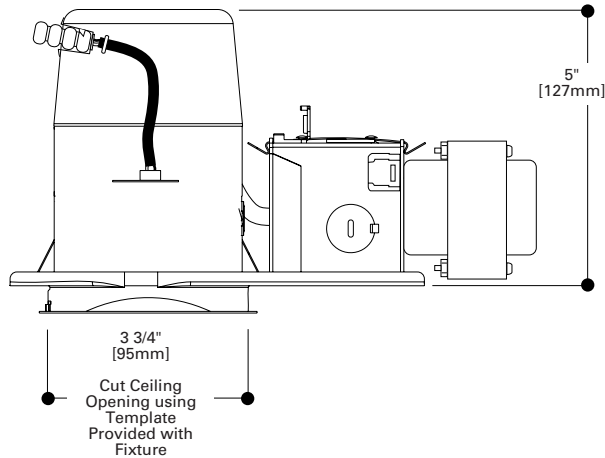
3" Non-IC AIR-TITE™ Remodel Recessed Housing
12V MR16

3" TRIMS



FOR USE IN NON-INSULATED CEILINGS

CAN BE USED IN INSULATED CEILINGS BUT INSULATION MUST BE KEPT 3" FROM ALL SIDES OF THE HOUSING



Remodel Housing Installation



Cut hole in ceiling using template supplied.



Bring power to fixture using non metallic sheathed cable or flexible metal cable.



The Halo Slide-N-Side™ wire traps let you make all wiring connections outside the junction box.



Slide cable into Slide-N-Side™ wire trap and close junction box cover.



Insert plaster frame into ceiling opening.



Support clip keeps plaster frame in place during rest of installation.



Insert housing into position and secure in position with cam locks.



Insert trim to complete installation.

airtite™
with all trims listed

TRIMS

ORDERING INFORMATION

SAMPLE NUMBER: H36LVRTAT-3001WHBB

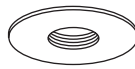
Order housing, trim and accessories separately.

Housing

H36LVRTAT=3" AIR-TITE™ Non-IC Small Aperture Low Voltage Remodel MR16 Housing

Trims

Note: Consult individual trim specification sheets for additional information and color views



3001

Adjustable Pinhole Baffle**50W 12V MR16**

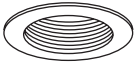
3001WHBB=White with Black Baffle
 3001BKBB=Black with Black Baffle
 3001SNBB=Satin Nickel with Black Baffle
 3001ACBB=Antique Copper with Black Baffle
 3001TBZBB=Tuscan Bronze with Black Baffle
 OD: 4 1/4" (108mm)



3002

Adjustable Pinhole Reflector**50W 12V MR16**

3002WHC=White with Clear Reflector
 3002BKC=Black with Clear Reflector
 3002SNC=Satin Nickel with Clear Reflector
 3002ACC=Antique Copper with Clear Reflector
 3002TBZC=Tuscan Bronze with Clear Reflector
 OD: 4 1/4" (108mm)



3003

Adjustable Baffle**50W 12V MR16**

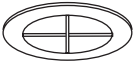
3003WHBB=White with Black Baffle
 3003WHWB=White with White Baffle
 3003BKBB=Black with Black Baffle
 3003SNB=Satin Nickel with Satin Nickel Baffle
 3003ACB=Antique Copper with Antique Copper Baffle
 3003TBZB=Tuscan Bronze with Tuscan Bronze Baffle
 OD: 4 1/4" (108mm)



3004

Adjustable Reflector**50W 12V MR16**

3004WHC=White with Clear Reflector
 3004BKC=Black with Clear Reflector
 3004SN=Satin Nickel with Satin Nickel Reflector
 3004AC=Antique Copper with Antique Copper Reflector
 3004TBZ=Tuscan Bronze with Tuscan Bronze Reflector
 OD: 4 1/4" (108mm)



3005

Crossblade Reflector**50W 12V MR16**

3005WHC=White with Clear Reflector
 3005BKC=Black with Clear Reflector
 OD: 4 1/4" (108mm)



3006

Adjustable Slot Aperture**50W 12V MR16**

3006WHBB=White with Black Baffle
 3006BKBB=Black with Black Baffle
 3006SNBB=Satin Nickel with Black Baffle
 3006ACBB=Antique Copper with Black Baffle
 3006TBZBB=Tuscan Bronze with Black Baffle
 OD: 4 1/4" (108mm)



3007

Regressed Lens Showerlight - wet location listed**50W 12V MR16**

3007WHBB=White with Clear Reflector
 3007PCC=Polished Chrome with Clear Reflector
 3007SNBB=Satin Nickel with Satin Nickel Reflector
 3007ACBB=Antique Copper with Antique Copper Reflector
 3007TBZBB=Tuscan Bronze with Tuscan Bronze Reflector
 OD: 4 1/4" (108mm)



3008

Showerlight - wet location listed**50W 12V MR16**

3008FG=White Polymer with Glass Lens with Frosted Perimeter
 OD: 4 1/4" (108mm)



3009

Adjustable Gimbal**50W 12V MR16**

3009WHBB=White with Black Baffle
 3009WHWB=White with White Baffle
 3009BKBB=Black with Black Baffle
 3009SNBB=Satin Nickel with Black Baffle
 3009ACBB=Antique Copper with Black Baffle
 3009TBZBB=Tuscan Bronze with Black Baffle
 OD: 4 1/4" (108mm)

Note: Specifications and Dimensions subject to change without notice.

Visit our web site at www.cooperlighting.com

