

DESCRIPTION

An H1499IC family housing with an integral low voltage transformer that supplies 12 volts to MR16 lamps. The H1499IC is for installations where the housing will be in direct contact with insulation. The H1499 Air-Tite housing also meets restricted air flow requirements. The H1499IC is a suited for use in insulated ceilings in residential and commercial applications.

Catalog #		Type	
Project			
Comments		Date	
Prepared by			

DESIGN FEATURES

A ... Outer Housing

Double wall aluminum construction for greater heat dissipation. H1499IC housing is gasketed to prevent airflow from heated or air conditioned spaces.

B ... Plaster Frame

Galvanized steel construction. The housing can be removed from plaster frame to provide access to the junction box. Plaster frame features include:

- Regressed locking screw for securing hanger bars from below the ceiling
- Six cutouts for easily crimping hanger bars in position
- Halo name embossed on plaster frame

SLIDE-N-SIDE™ Junction Box

- Four 1/2" trade size conduit knockouts with true pry-out slots positioned to accommodate straight conduit runs.
- Slide-N-Side™ wire traps allow non-metallic sheathed cable to be installed without tools and without removing knockouts. Accepts a wide range of non-metallic sheathed cable.
- Allows connections to be made outside the junction box

- Simply insert the cable directly into the trap after connections are made.
- UL Listed for through branch circuit wiring (maximum 8 No.12 ga., 90°C conductors).
- Accommodates the following standard non-metallic sheathed cable sizes: (US) #14/2, #14/3, #12/2, #12/3 (Canada) #14/2, #14/3, #12/2

D ... GOT NAIL! Pass-N-Thru™ Bar Hangers

- Bar Hanger Features include:
- Pre-installed nail easily installs in regular lumber, engineered lumber and laminated beams
 - Safety and guidance system prevents snagging, ensures smooth straight nail penetration and allows bar hangers to be easily removed if necessary.
 - Automatic levelling flange aligns the housing and lets you hold the housing in place with one hand while driving nails
 - Housing can be positioned at any point within 24" joist span
 - Score lines allow "toolless" shortening for 12" joists
 - Bar hangers may be repositioned 90°
 - Bar hangers do not need to be

- removed from frame for shortening
- Integral T-bar clips snaps onto T-bars - no additional clips required

E ... Transformer

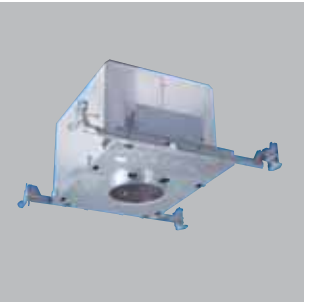
120V Integral magnetic transformer steps line voltage down to lamp operating voltage.

G ... Thermal Protector

Self resetting thermal protector deactivates fixture if overheating occurs due to improper lamping.

Labels

- UL/cUL Listed for Damp Location
 - UL/cUL listed for Feed Through
 - UL/cUL listed for Direct Contact with insulation and combustible material
- Meets following requirements:
- State of Washington Energy Code
 - California Title 24 Low efficacy luminaire IC and AT requirements
 - International Energy Conservation Code (IECC)
 - New York State Energy Conservation Code (NY-ECC)
 - Certified under ASTM-E283 for air tight construction



H1499IC

4" Insulated Ceiling
AIR-TITE™
Low-Voltage
Recessed Housing

4" TRIMS

**FOR USE IN
INSULATED CEILINGS
FOR DIRECT CONTACT
WITH INSULATION**

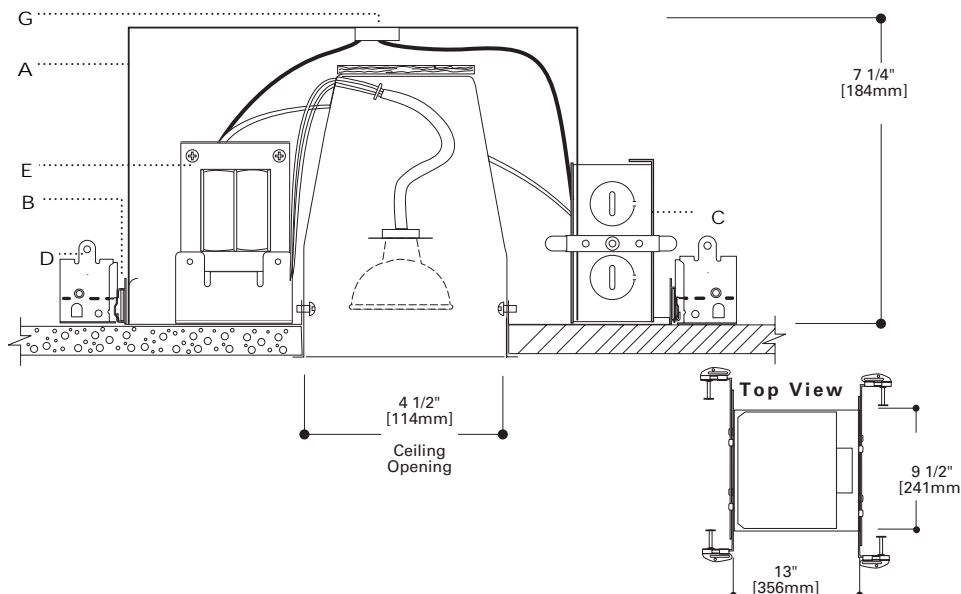


with all trims listed



UPGRADE FEATURES:

- SLIDE-N-SIDE™ JUNCTION BOX
- GOT NAIL!™ BAR HANGERS
- PASS-N-THRU™ BAR HANGERS
- REGRESSED LOCKING SCREW
- HALO ID ON PLASTER FRAME



TRIMS

ORDERING INFORMATION

SAMPLE NUMBER: H14991C-1421RG

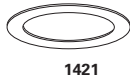
Order housing, trim and accessories separately.

Trims

Trims

H14991C=4" Insulated Ceiling Small Aperture AIR-TITE Housing

REFLECTORS



1421

Specular Reflector Cone - 35° Tilt
50W 12V MR16

- 1421C=Specular Clear Reflector with White Trim Ring
- 1421AC=Antique Copper Reflector, Antique Copper Trim Ring
- 1421H=Haze Reflector with White Trim Ring
- 1421CG=Champagne Gold Reflector with White Trim Ring
- 1421RG=Residential Gold Reflector with White Trim Ring
- 1421MB=Specular Black Reflector with White Trim Ring
- 1421SL=Specular Clear Reflector with Silver Trim Ring
- 1421SN=Satin Nickel Reflector with Satin Nickel Trim Ring
- 1421TBZ=Tuscan Bronze Reflector, Tuscan Bronze Trim Ring
OD: 5 1/16" (129mm)

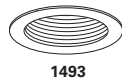
BAFFLES



1419

1 7/8" Open Coalex - 35° Tilt
50W 12V MR16

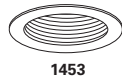
- 1419P=Black Baffle, White Trim Ring
- 1419AC=Black Baffle, Antique Copper Trim Ring
- 1419W=White Baffle, White Trim Ring
- 1419SL=Black Baffle, Silver Trim Ring
- 1419SN=Black Baffle, Satin Nickel Trim Ring
- 1419TBZ=Black Baffle, Tuscan Bronze Trim Ring
OD: 5 1/16" (129mm)



1493

Coalex Baffle - 35° Tilt
50W 12V MR16

- 1493P=Black Baffle, White Trim Ring
- 1493AC=Black Baffle, Antique Copper Trim Ring
- 1493BC=Black Baffle, Black Chrome Trim Ring
- 1493PB=Black Baffle, Polished Brass Trim Ring
- 1493W=White Baffle, White Trim Ring
- 1493SL=Black Baffle, Silver Trim Ring
- 1493SN=Black Baffle, Satin Nickel Trim Ring
- 1493TBZ=Black Baffle, Tuscan Bronze Trim Ring
OD: 5 1/16" (129mm)



1453

Metal Baffle - 35° Tilt
50W 12V MR16

- 1453AC=Antique Copper Baffle, Antique Copper Trim Ring
- 1453SN=Satin Nickel Baffle, Satin Nickel Trim Ring
- 1453TBZ=Tuscan Bronze Baffle, Tuscan Bronze Trim Ring
OD: 5 1/16" (129mm)

ADJUSTABLES



1420

Slot Aperture - 35° Tilt (Slot - 1 3/8" X 2 1/4")
50W 12V MR16

- 1420P=White
- 1420AC=Antique Copper
- 1420SL=Silver
- 1420SN=Satin Nickel
- 1420TBZ=Tuscan Bronze
OD: 5 1/16" (129mm)



1498

Eyeball - 30° Tilt
50W 12V MR16

- 1498P=White Eyeball, Black Baffle
- 1498AC=Antique Copper Eyeball, Black Baffle
- 1498PB=Polished Brass Eyeball, Black Baffle
- 1498W=White Eyeball, White Baffle
- 1498SL=Silver Eyeball, Black Baffle
- 1498SN=Satin Nickel Eyeball, Black Baffle
- 1498SN=Tuscan Bronze Eyeball, Black Baffle
OD: 5 1/16" (129mm)



1495

Gimbal Adjustable - 30° Tilt
50W 12V MR16

- 1495P=Satin White
- 1495AC=Antique Copper
- 1495SL=Silver
- 1495SN=Satin Nickel
- 1495TBZ=Tuscan Bronze
OD: 5 1/16" (129mm)



1496

Retractable Elbow Super Adjustable - 60° Tilt
50W 12V MR16

- 1496P=Satin White Eyeball and Trim Ring
- 1496AC=Antique Copper Eyeball and Trim Ring
- 1496SL=Silver Eyeball and Trim Ring
- 1496SN=Satin Nickel Eyeball and Trim Ring
- 1496TBZ=Tuscan Bronze Eyeball and Trim Ring
OD: 5 1/16" (129mm)



1497

Accent Wall Wash Mirror Trim -90° Tilt
50W 12V MR16

- 1497=Satin White
OD: 5 1/16" (129mm)



1945

Metropolitan Ice Light
42W 12V MR16

- 1945=Clear Frosted
- 1945BLUE=Blue Frosted
OD: 5 5/16" (135mm)



1946

Metropolitan Deco
42W 12V MR16

- 1946PB=Green Tint Rings with Polished Brass Metal Body
OD: 5 5/8" (143mm)

SHOWER LIGHT



1951

Shower Light
50W 12V MR16

- 1951P=Shower Light, White Trim Ring, Specular Reflector
- 1951ACS=Shower Light, Antique Copper Trim Ring, Specular Reflector
- 1951SLS=Shower Light, Silver Trim Ring, Specular Reflector
- 1951SNS=Shower Light, Satin Nickel Trim Ring, Specular Reflector
- 1951TBZS=Shower Light, Tuscan Bronze Trim Ring, Specular Reflector
OD: 5 1/16" (129mm)

Accessories

Mounting Accessories

TB7=T Bar Clips. For use with suspended ceiling systems - set of four. Order one set for each fixture.

Filters and Lenses

The following filters and lenses can be substituted for the cover glass supplied for use with MR16 lamps.

Color Filters

- L112=Red Gel Filter
- L114=Ultraviolet Dichroic Filter
- L120=Red Dichroic Filter
- L121=Amber Dichroic Filter
- L122=Yellow Dichroic Filter
- L123=Green Dichroic Filter
- L124=Daylight Blue Dichroic Filter
- L125=Blue Dichroic Filter
- L127=Cosmetic (2700°K) Dichroic Filter
- L130=Yellow Gel Filter
- L131=Amber Gel Filter

Optical Lenses

- L110N=Diffuse Sand Blasted Lens. Provides an even beam spread from MR16 lamps- especially useful in wall washing.
- L111=Soft Focus Lens. Smooths irregular beam pattern while maintaining high controlled illumination levels and beam angles.
- L113=Prismatic Spread Lens. Provides a symmetrical broadening of MR16 lamp beams.
- L115=Fans the MR16 beam to produce a wide rectangular illumination pattern.

Note: Specifications and Dimensions subject to change without notice.

Visit our web site at www.cooperlighting.com