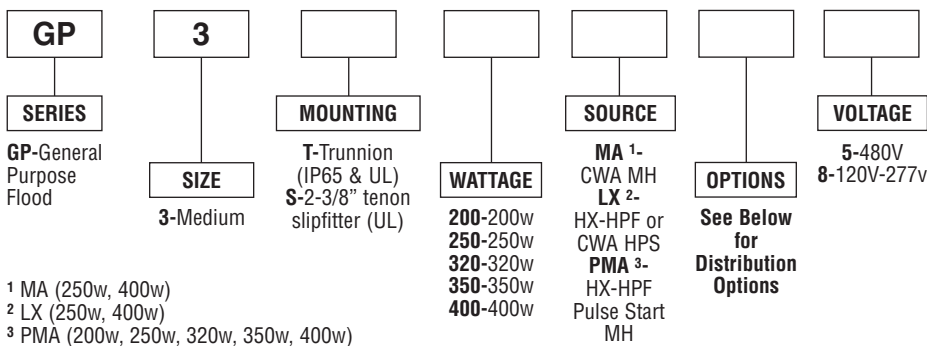


GP Flood Series Floodlighting GP3 (Medium)



ORDERING INFORMATION

Catalog Number: Example: GP3T200MAL5



PRODUCT SPECIFICATIONS

- The GP Flood combines architectural design with on-site versatility and is designed for general purpose floodlighting applications
 - Applications include security, roadway, area, accent, facade, recreational fields, flagpole, and sign lighting
 - Mounting options for poles, walls and ground/flood are available
 - Reflectors include general purpose and cutoff optics
 - Fixtures available with trunnion (IP65 and UL) and slipfitter (UL) mounting
 - IP65 Rated using trunnion mounting for extra protection against water, dust and debris
- (Consult factory for IP65 slipfitter option)
- Keyhole slots on trunnion facilitate hands-free mounting
 - One piece die cast aluminum door with clear tempered glass lens is hinged to the die cast aluminum housing for easy maintenance
 - Extruded silicone rubber gasket for long life
 - Integral heat sink ensures cool operation.
 - ED28 lamps for metal halide and ED18 lamps for high pressure sodium
 - Lens screws are captive stainless steel fasteners
 - Duraplex II dark bronze polyester powder finish is standard and also available in a variety of designer colors
 - Unit can be aimed above or below horizontal
 - Available with vandal shields, wire guards and glare shields
 - Published 5-year limited warranty

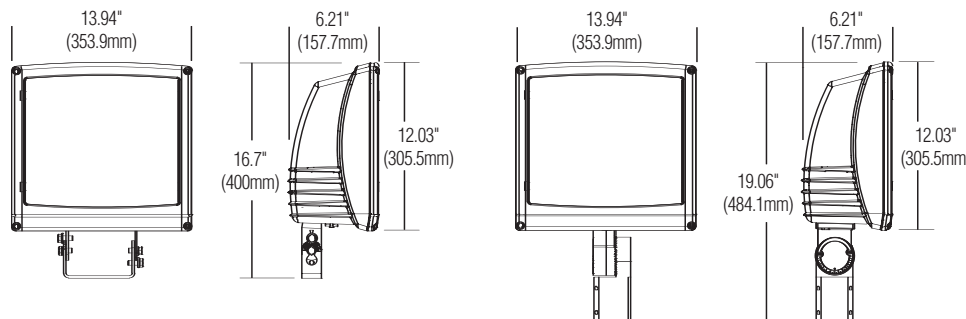
ACCESSORIES

GP3GS = Visor
GP3WG = Wire Guard
GP3VS = Vandal Shield

OPTIONS

L = Lamped
BLANK = General Purpose Optics
C = Cutoff Optics
PCB = Button Photo Control
TLR = Twist Lock Receptacle with Shorting Cap
TRP = Twist Lock Receptacle with Photo Control
FS = Fusing

TECHNICAL INFORMATION



IP65 Rated
 UL Wet Location Listed
 Suitable for ground mounting

